

Congratulations on the purchase of your Dakota / Jayden / Olivia Twin Trundle. This trundle has been crafted to the highest standards of quality and safety and will give you many years of enjoyment and practical use.

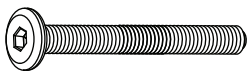
Because this trundle is composed of wood there will be variations in color and grain, and minor checking may occur. This is normal and does not compromise the integrity of your trundle.

On this insert you will find a list of hardware and parts necessary for assembly, as well as detailed instructions. Assembly is quite simple and requires only a Phillips Head screwdriver. The use of a power drill with the torque setting on low and a Phillips Head attachment is helpful but not necessary. Assembly will be most easily accomplished if you take the time to carefully sort the hardware and familiarize yourself with the function of each piece.

If you need assistance with assembly, part replacement or any other matter, contact the Toll-Free Epoch Design Service Center from anywhere in the Continental United States, Monday through Friday, 9AM - 5PM Pacific Standard Time at 1-800-589-7990. You may also fax your request or comments to 425-284-0885 or email info@epochbydesign.com and a service representative will respond.

Thank you and Enjoy

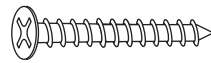
HARDWARE LIST



8x **35mm Bolt**



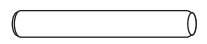
4x **30mm Machine Screws**
Used to attach Trundle Handles



6x **30mm Wood Screws**
Used to attach plank braces



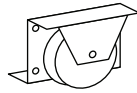
20x **25mm Screws**
Used to attach wheels



4x **Dowels**
Used to connect panels



1x **4mm Allen Wrench**



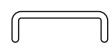
5x **Wheels**



4x **Trundle Handles**

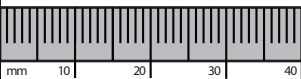


29x **15mm Wood Screws**
Used to attach Planks to trundle bottom

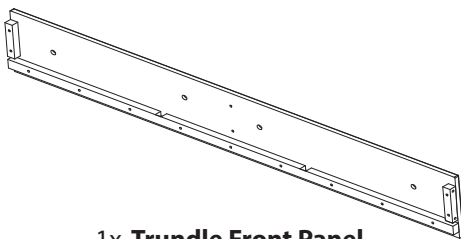


2x **Wire Retainers**

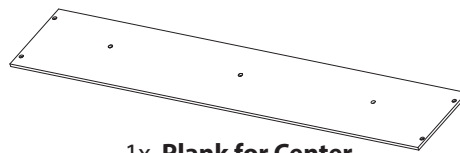
Guide



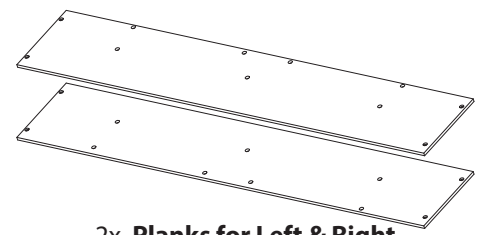
TRUNDLE BED PARTS



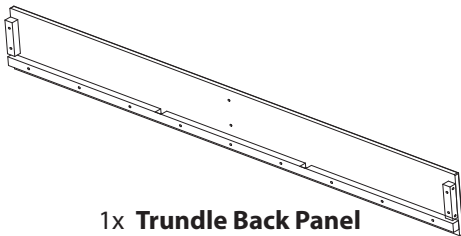
1x **Trundle Front Panel**



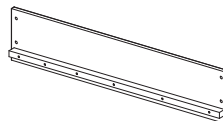
1x **Plank for Center**



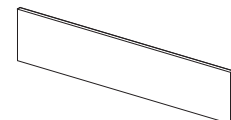
2x **Planks for Left & Right**



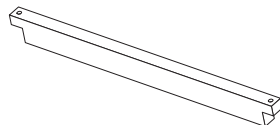
1x **Trundle Back Panel**



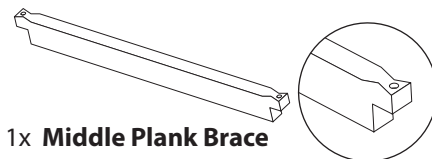
2x **Trundle End Bed Panel**



1x **Drawer Divider**



2x **Plank Brace**

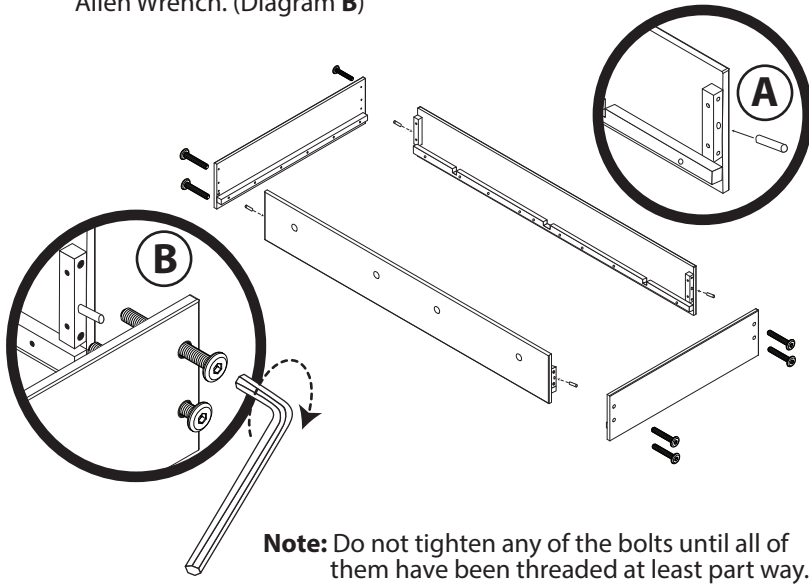


1x **Middle Plank Brace**

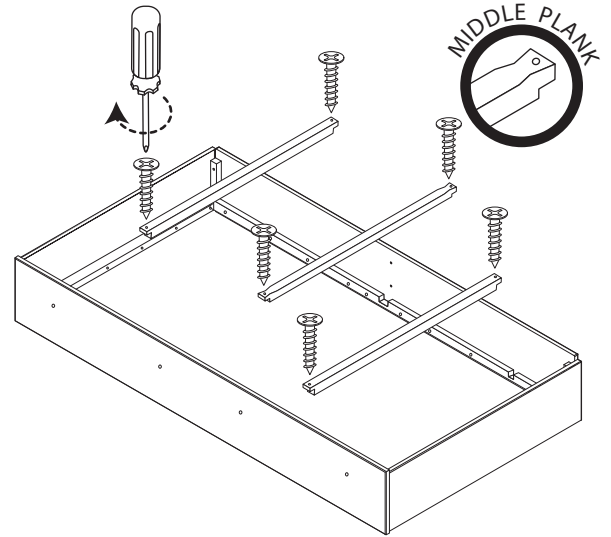
HAVE QUESTIONS OR CONCERNS? CALL US FIRST: 1-800-589-7990

Copyright © 2018 Epoch Design™ All rights reserved

- 1** Insert wooden dowels into the into the front and back panels. (See Diagram A) Then attach the two trundle end panels to the front and back panels with 35mm bolts and tighten with 4mm Allen Wrench. (Diagram B)

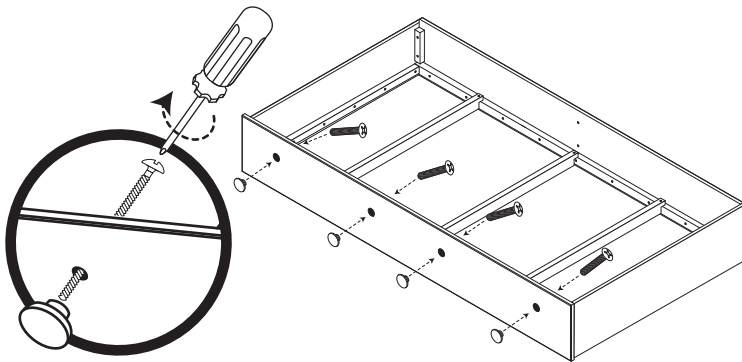


- 2** Attach the two plank braces and middle plank brace to the trundle with 30mm wood screws.



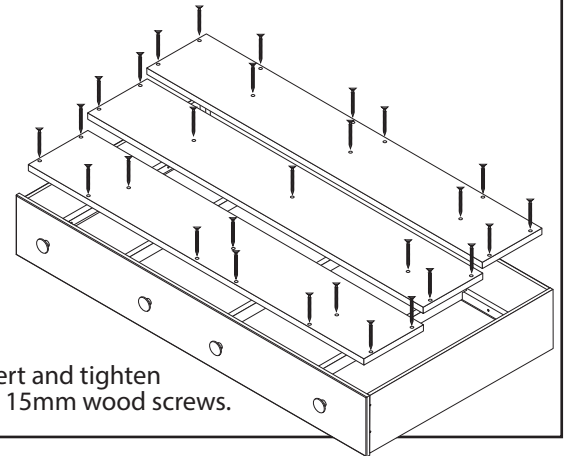
The braces should lay flush with the surrounding ledge.

- 3** Attach the trundle handles with 30mm machine screws.



Hold the handle tight to the drawer face and use a Phillips Head screwdriver to secure the handles.

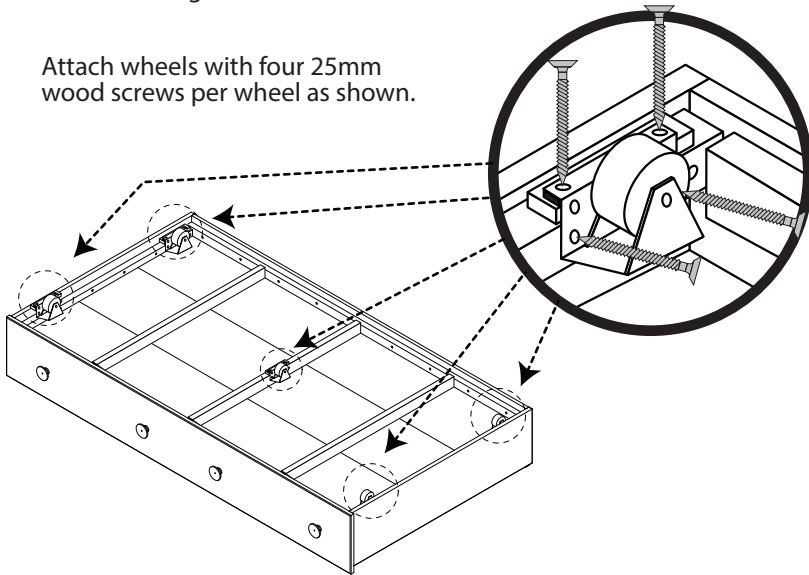
- 4** Lay the three bottom planks into the trundle. The top side of the planks will have countersunk holes for the 15mm wood screws.



Insert and tighten the 15mm wood screws.

- 5** Carefully flip trundle over on a soft surface or carpet, to avoid scratching the finish.

Attach wheels with four 25mm wood screws per wheel as shown.



- 6** **OPTIONAL STORAGE**

To use the bottom bed as a storage drawer, insert the wire retainers and slide the drawer dividers into the wire retainers down the grooves on the dividers.

