



Dakota Twin Bunk Bed

5104: DA-TT-BB-WH

Congratulations on the purchase of your Dakota twin bunk bed. This bed has been crafted to the highest standards of quality and safety and will give you many years of enjoyment and practical use. Your bunk bed can be separated into two individual twin beds if the need arises for alternate sleeping configurations.

Several Basic safety considerations must be adhered to when using this bunk bed.

TO HELP PREVENT serious or fatal injury from entrapment or falls:

- Never allow a child under 6 years on upper bunk
- Always use the recommended size mattress (standard twin 38" x 74" (96.5cm x 188cm) or mattress support, or both, to help prevent the likelihood of entrapment or falls
- Ensure thickness of mattress does not exceed 9 inches (22.9cm)
- Mattress must be at least 5 inches (12.7cm) below upper edge of guardrails
- Always use guardrails on both sides of upper bunk
- Do not allow horseplay on or under bed(s) and prohibit jumping on the bed
- Prohibit more than one person on upper bunk
- Always use the ladder for entering and leaving upper bunk
- If the bunk will be placed next to a wall, the guardrail that runs the full length of the bed should be placed against the wall to prevent entrapment between the bed and the wall
- Follow the information on the warnings appearing on the upper bunk structure and on the carton. Do not remove warning label from bed
- Periodically check and ensure that the guardrail, ladder and other components are in their proper position, free from damage and that all connectors are tight
- Do not use substitute parts. Contact Mfg. or dealer for replacement parts
- The use of water or sleep flotation mattress is prohibited
- Keep these instructions for future reference
- Use of a night light may provide added safety precaution for a child using the upper bunk
- STRANGULATION HAZARD- Never attach or hang items to any parts of the bunk bed that are not designed for use with the bed, including but not limited to hooks, belts or jump ropes

On this insert you will find a list of the hardware and bunk bed parts necessary for assembly, as well as detailed instructions. Assembly is quite simple and requires only a flat head or a Phillips head screwdriver. The use of a power drill with Phillips head attachment is helpful but not necessary. Assembly will be most easily accomplished if you take the time to carefully sort the hardware and familiarize yourself with the function of each piece.

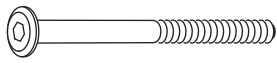
If you should require assistance with assembly, part replacement or any other matter, contact the toll-free Epoch Design Service Center from anywhere in the Continental United States, Monday through Friday, 9 AM – 5 PM Pacific Standard Time at 1-800-589-7990. You may also email your requests or comments to info@epochbydesign.com and a service representative will respond.

Thank you and Enjoy

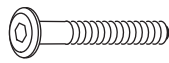
HAVE QUESTIONS OR CONCERNS? CALL US FIRST: 1-800-589-7990

Copyright © 2018 Epoch Design™ All rights reserved

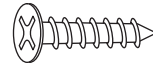
HARDWARE LIST



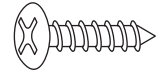
16x 100mm bolts
Used to connect end boards to side rails



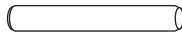
8x 35mm bolts
Used to attach safety rails to bunk



56x 30mm Flat head screws
Used to secure slats to side rail



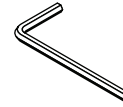
2x 15mm Roundhead screws
Used to secure ladder to upper side rail



4x Upper/lower bunk connector pins
Used to connect upper bunk to lower bunk

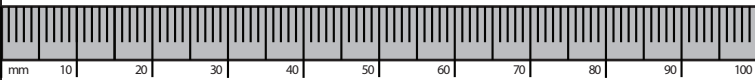


16x Barrel nuts
Used to secure bolts

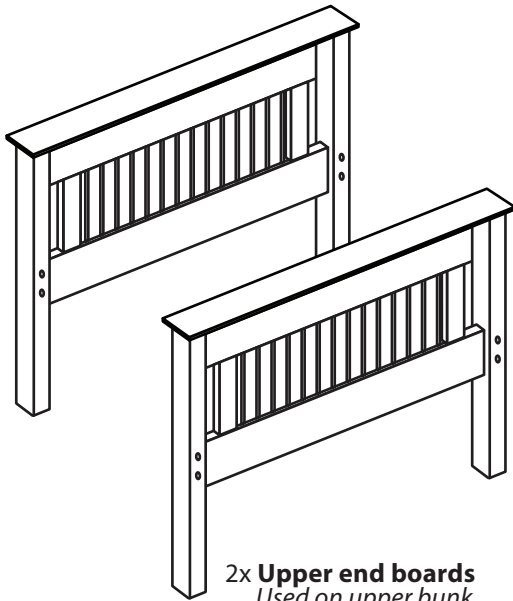


1x Hex Key
Used to tighten bolt hardware

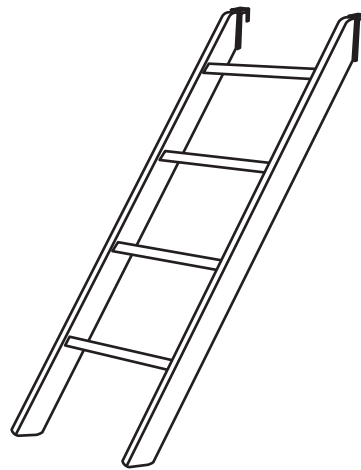
Guide



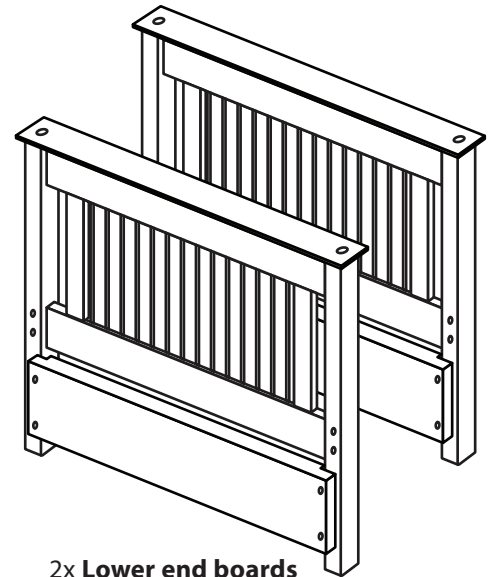
BUNK BED PARTS



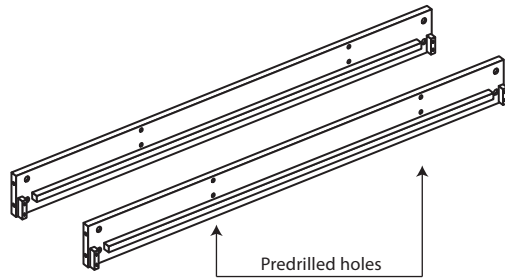
2x Upper end boards
Used on upper bunk



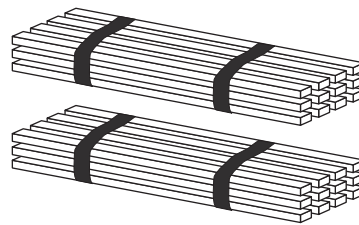
1x Ladder
For access to upper bunk



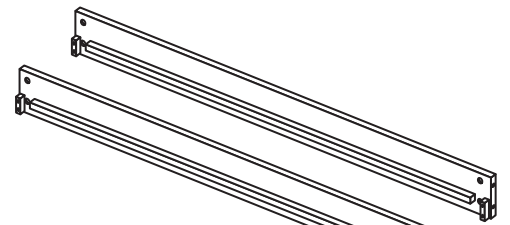
2x Lower end boards
Used on lower bunk



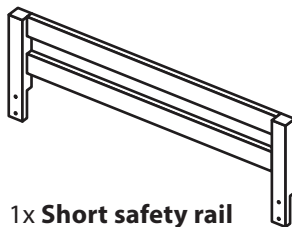
2x Side rails
Connect upper end boards



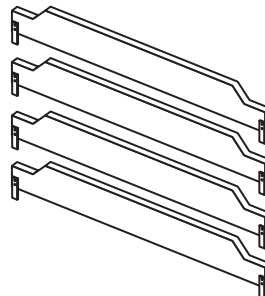
2x Slat bundles
Rest on side rails (strap side down)



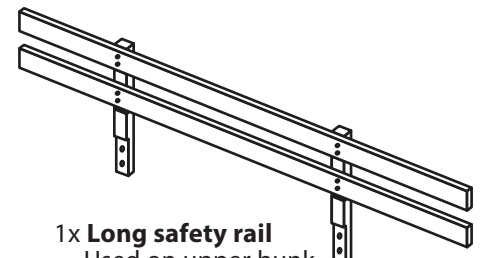
2x Side rails
Connect lower end boards



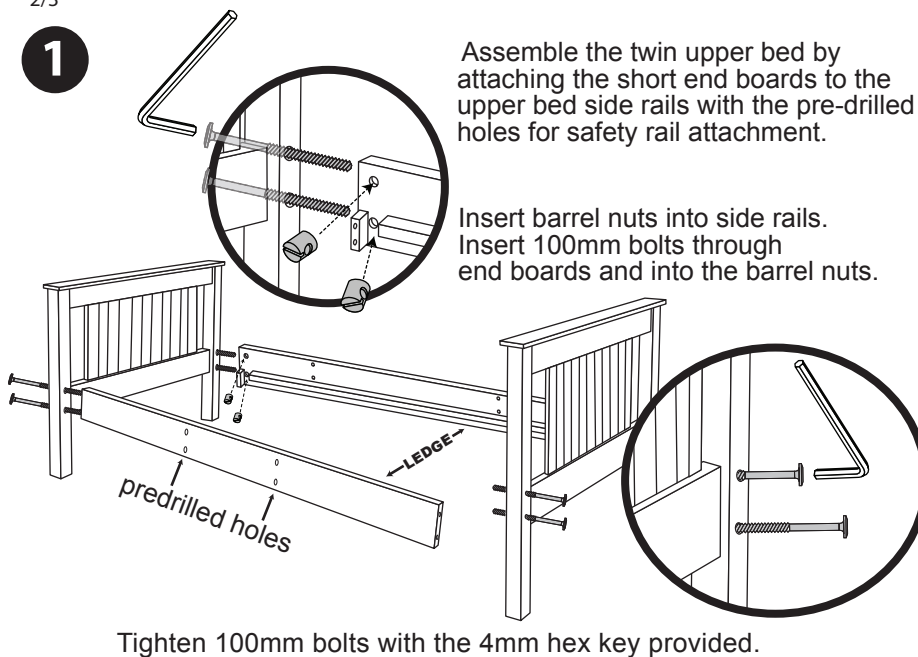
1x Short safety rail
Used on upper bunk



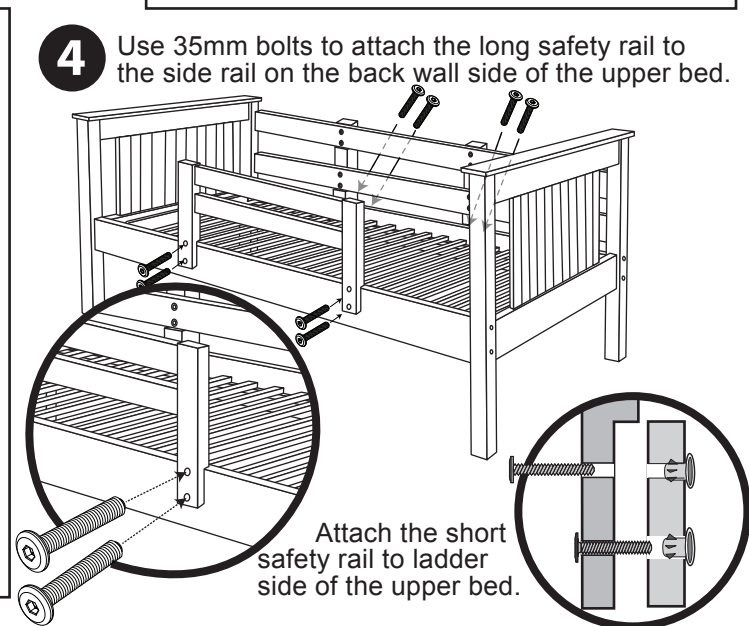
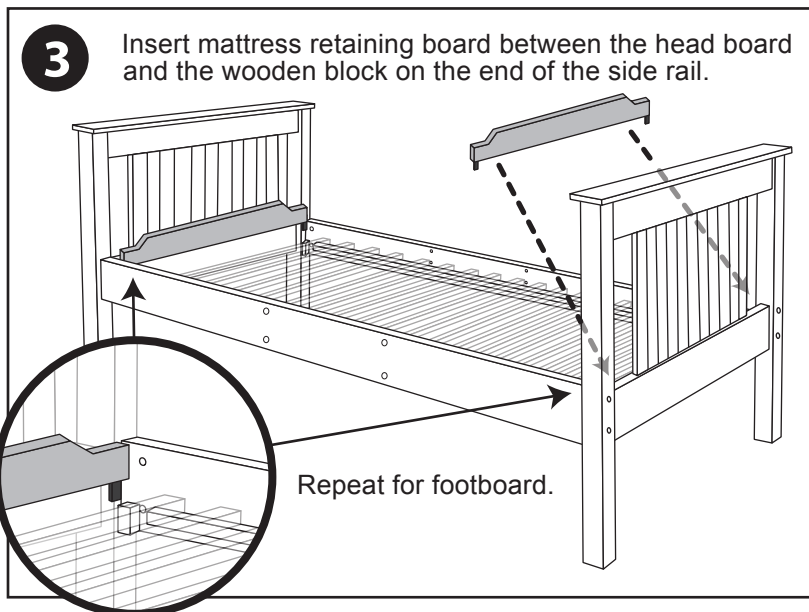
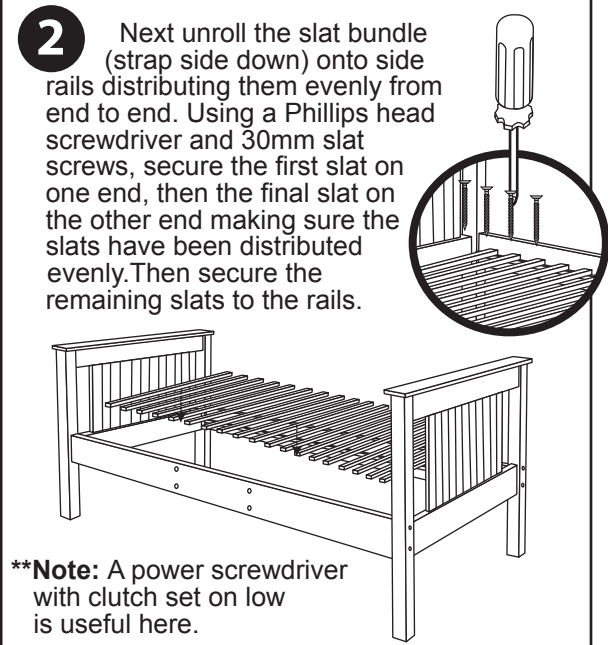
4x Mattress retaining boards
Used to secure mattress



1x Long safety rail
Used on upper bunk (wall side of bunk)



Tighten 100mm bolts with the 4mm hex key provided.



****Note:** Propel nuts are pre-installed into the bed rails and face away from the 35mm bolts as shown.

5 Repeat steps 1-3

