



# Modeno Storage Bed

5143: PM-FU-XB-ES

Congratulations on the purchase of your Storage Bed. This bed has been crafted to the highest standards of quality and safety and will give you many years of enjoyment and practical use.

Since this bed is a natural wood product, there will be variations in color and grain and minor checking may occur. This is normal and does not compromise the integrity of your bed. In fact, variation in character of natural wood is integral to the beauty and appeal of hardwood furniture and distinguishes it from prefabricated, synthetic and composite materials.

On this insert you will find a list of the hardware and parts as well as detailed assembly instructions. Assembly is quite simple and requires only a flat head screwdriver and a Phillips head screwdriver. The use of a power drill with Phillips head attachment with the clutch set to low is helpful but not necessary. Assembly will be most easily accomplished if you take the time to carefully sort the hardware and familiarize yourself with the function of each piece.

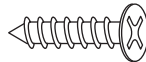
If you need assistance with assembly, part replacement or any other matter, please contact the toll-free Epoch Design Customer Service Team from Monday through Friday, 9 AM - 5 PM PST at 1 (800) 589-7990. You may also email your request or comments to [info@epochbydesign.com](mailto:info@epochbydesign.com) and a customer service representative will respond.

Thank you and Enjoy

## HARDWARE LIST



8x **35mm bolts**  
Used to connect storage units to headboard / end unit

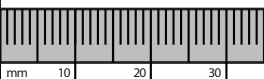


34x **30mm wood screws**  
Used to secure slats to storage units

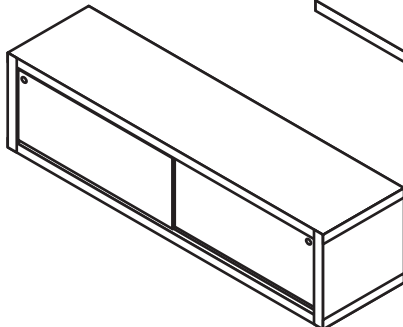


1x **Hex key**  
Used to tighten bolts

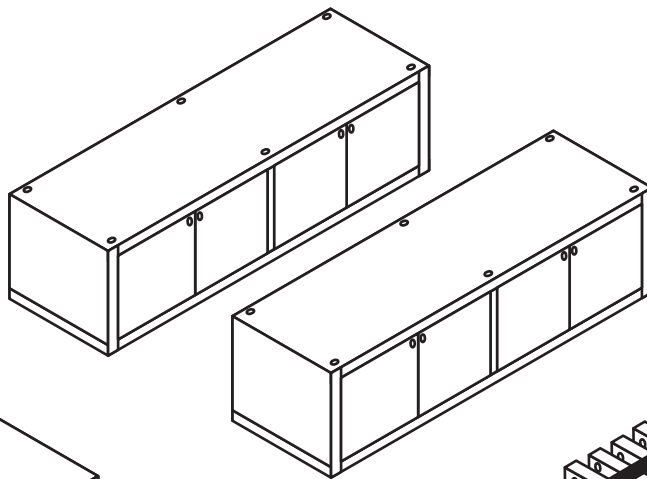
Guide



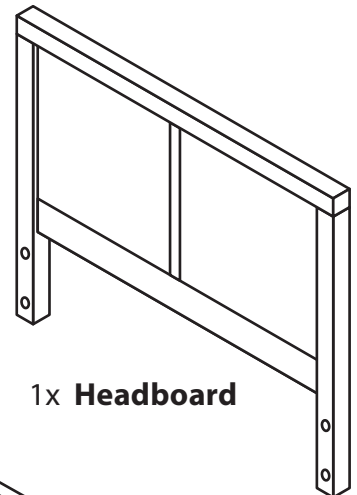
## BED PARTS



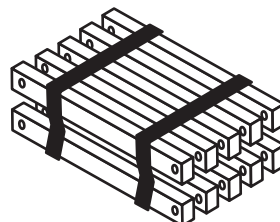
1x **End unit**



2x **Storage units**



1x **Headboard**

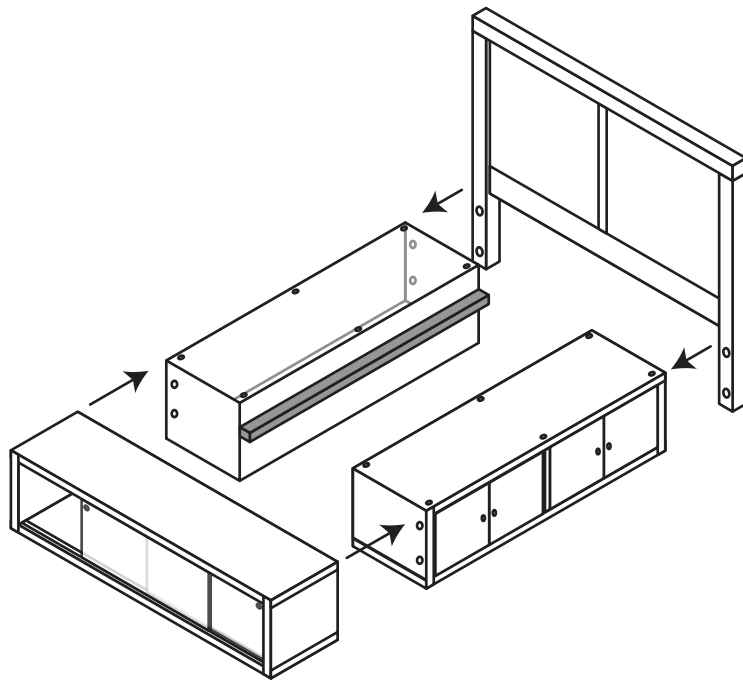


1x **Slat bundle**

HAVE QUESTIONS OR CONCERNS? CALL US FIRST: 1-800-589-7990

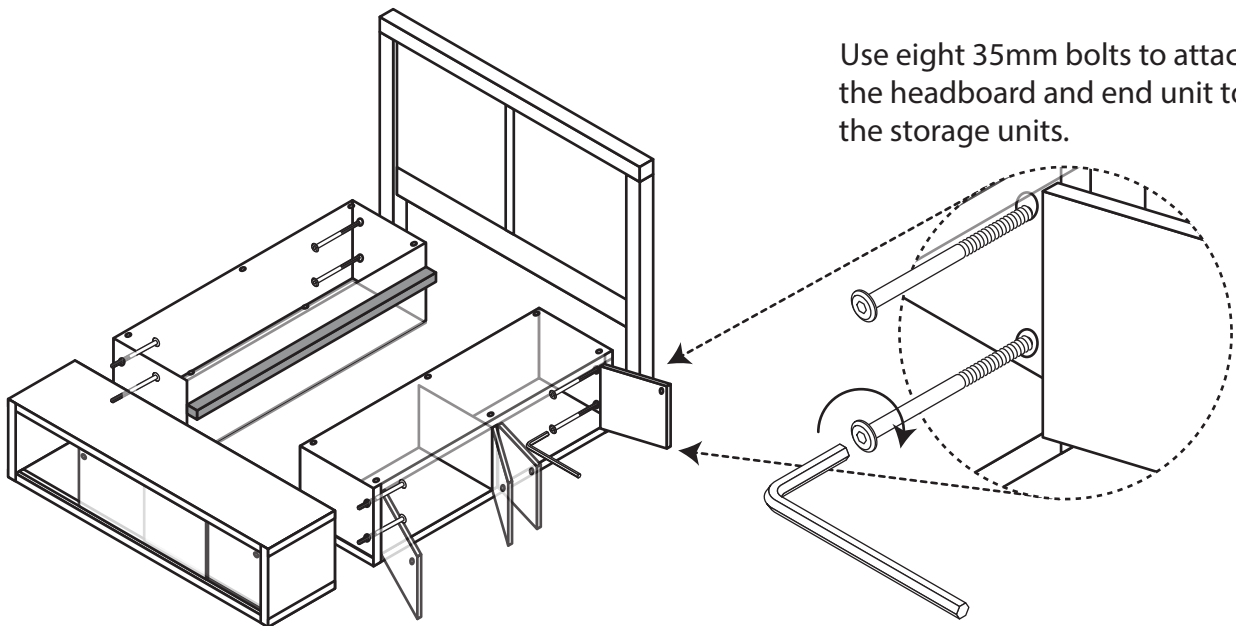
1

Align the headboard and end unit to both storage units.



2

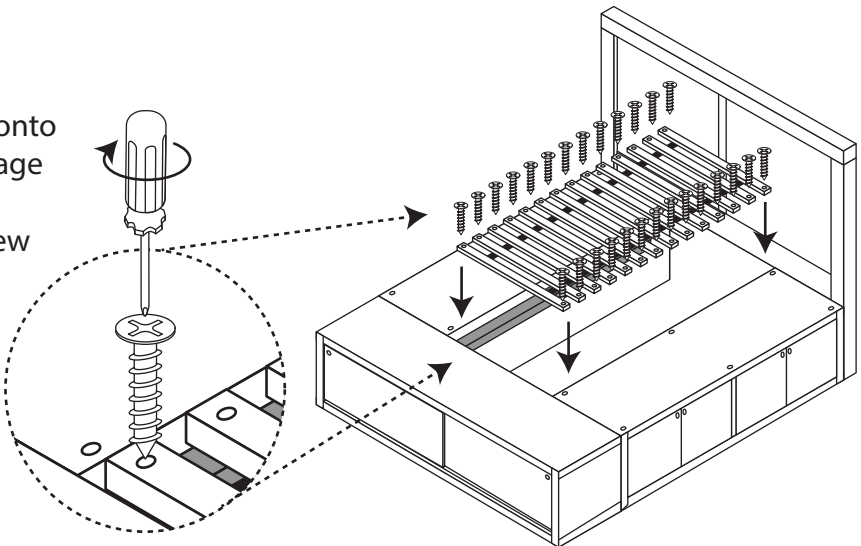
Use eight 35mm bolts to attach the headboard and end unit to the storage units.



3

Unroll slat bundle (strap side down) onto side rail ledges located on the storage units evenly from end to end. Using the slat screws provided, screw the slat closest to the headboard to the two outside slat rails. Then screw the slat closest to the footboard to the two outside rails. Then proceed to secure the remaining slats in any order.

**\*\*A power screwdriver with the clutch set on low is useful here.**



Have a question? Need a part ASAP? Call 1-800-589-7990 or email [info@epochbydesign.com](mailto:info@epochbydesign.com).