

# Niko Nightstand

5369: NK-1D-NS-BN

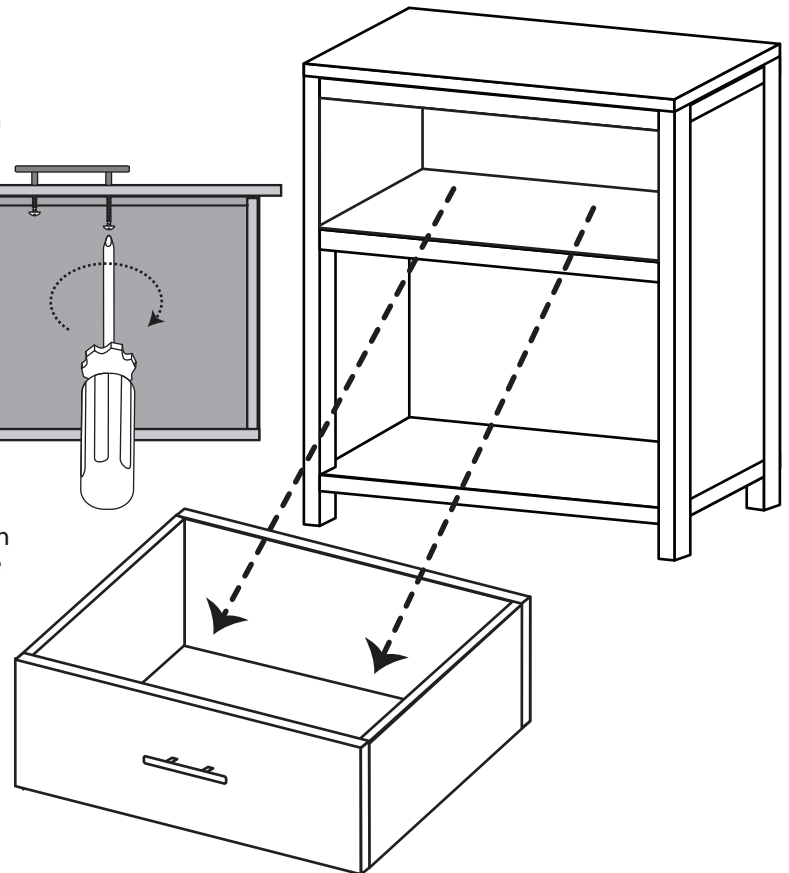
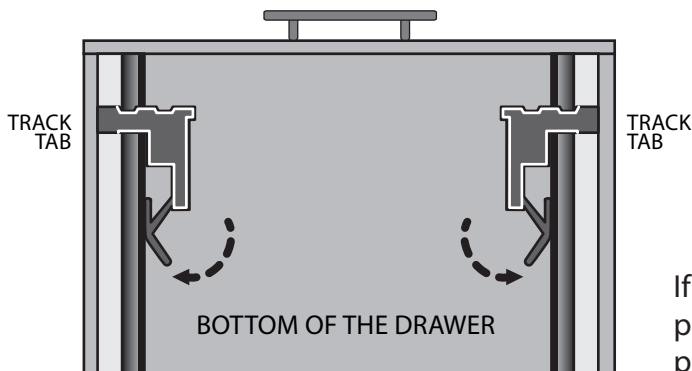
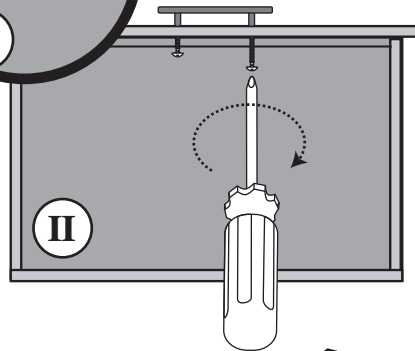
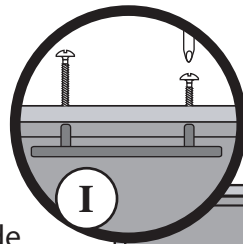
Congratulations on the purchase of your Niko nightstand. This nightstand has been crafted to the highest standards of quality and safety and will give you many years of enjoyment and practical use.

Since this nightstand is a natural bamboo product, there will be variations in color and grain, and minor wood grain checking may occur. This is normal and does not compromise the integrity of your dresser. Variation in the character of this piece is integral to its beauty and distinguishes it from lower quality composite materials.

Drawer handles are pre-installed into each drawer for shipping. (As shown in Diagram I)

To install drawer handles, first unscrew the handle from the inside of the drawer. Place the handle on the outside of drawer and insert the screws through the pre-drilled holes located on the inside of the drawer. Tighten using flat head or Phillips head screwdriver. (As shown in Diagram II).

**\*NOTE:** Do not turn the handle to tighten or loosen the screws. Doing so will cause the handle to scratch the front of the drawer.



If you find you need to remove a drawer, push and hold the track tabs outward and pull the drawer out the rest of the way.

If you should require assistance with assembly, part replacement or any other matter, contact the toll-free Epoch Design Service Center from anywhere in the Continental United States, Monday through Friday, 9 AM – 5 PM Pacific Standard Time at 1-800-589-7990. You may also email your request or comments to [info@epochbydesign.com](mailto:info@epochbydesign.com) and a service representative will respond.

Thank you and Enjoy