



Radia Twin Size Loft Bed

5119: RA-TW-LB-NB

Congratulations on the purchase of your Radia Loft Bed. This bed has been crafted to the highest standards of quality and safety and will give you many years of enjoyment and practical use. Your loft bed can be used for sleeping and also for a highly space efficient work area under the bed.

Since this bed is a natural wood product, there will be variations in color and grain, and minor checking may occur. This is normal and does not compromise the integrity of your bed. In fact, variation in character of solid hardwood is integral to the beauty and appeal of hardwood furniture, and distinguishes it from prefabricated, synthetic and composite materials.

Several basic safety considerations must be adhered to when using this bunk bed.

TO HELP PREVENT SERIOUS OR FATAL INJURY FROM ENTRAPMENT OR FALLS:

- Never allow a child under 6 years on a loft bed
- Always use the recommended size mattresses or mattress supports:
Standard twin 38"x 74" (96.5 cm x 188 cm) to help prevent the likelihood of entrapment or falls
- Ensure thickness of mattress does not exceed 9" (22.9 cm) for the upper bed
- Surface of mattress must be at least 5" (12.7 cm) below upper edge of safety rails
- Always use safety rails on both sides of upper bed
- Do not allow horseplay on or under bed(s) and prohibit jumping on the bed(s)
- Prohibit more than one person on the loft bed
- If the loft will be placed next to a wall, the safety rail that runs the full length of the bed should be placed against the wall to prevent entrapment between the bed and the wall
- Follow the information on the warnings appearing on the loft bed end board and on the carton
- Do not remove warning label from bed
- Periodically check and ensure that the safety rails, ladder and other components are in their proper positions, free from damage, and that all connectors are tight
- Do not use substitute parts
- Contact manufacturer or dealer for replacement parts
- The use of a water or sleep flotation mattress is prohibited
- Keep these instructions for future reference
- Use of a night light may provide added safety precaution for a child using the upper bunk
- STRANGULATION HAZARD - Never attach or hang items to any parts of the bunk bed that are not designed for use with the bed, including but not limited to hooks, belts or jump ropes

On this insert you will find a list of the hardware and loft bed parts necessary for assembly, as well as detailed instructions. Assembly is quite simple and requires only a flat head screwdriver and a Phillips head screwdriver. The use of a power drill with the clutch set on low and a Phillips head attachment is helpful but not necessary. Assembly will be most easily accomplished if you take the time to carefully sort the hardware and familiarize yourself with the function of each piece.

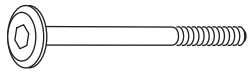
If you should require assistance with assembly, part replacement or any other matter, contact the toll-free Epoch Design Service Center from anywhere in the Continental United States, Monday through Friday, 9 AM – 5 PM Pacific Standard Time at 1-800-589-7990. You may also email your request or comments to info@epochbydesign.com and a service representative will respond.

Thank you and Enjoy

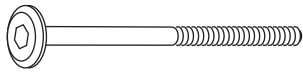
HAVE QUESTIONS OR CONCERNS? CALL US FIRST: 1-800-589-7990

Copyright © 2018 Epoch Design™ All rights reserved

HARDWARE LIST



18x 40mm bolts
Used to assemble long safety rails and connect safety rails to side rails



36x 110mm bolts
Used to connect head boards and foot boards to side rails



4x Connector pins
Used to connect upper bunk to lower unit



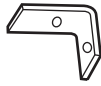
30x 30mm slat screws
Used to screw slats to rails



2x 15mm flat head screw
used to secure "L bracket"



9x 50mm JC screws
Used to attach desktop to bottom end board



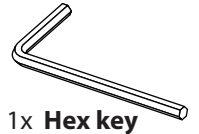
1x L bracket
Used to secure desk to ladder



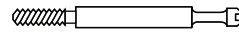
36x Barrel nuts
Used to secure 110mm bolts



3x Cam locks
Used to lock cam lock connectors into place



1x Hex key
Used to tighten hardware

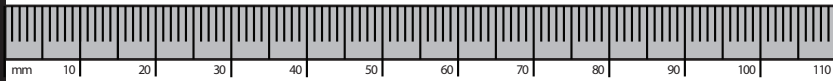


3x Cam lock connectors
Used to secure desktop

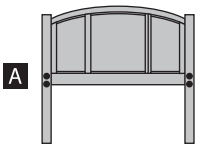


2x Printer/CPU brackets
Brackets for accessories part R

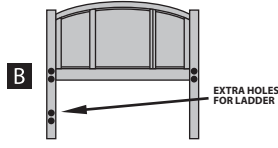
Guide



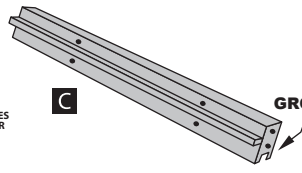
LOFT BED PARTS



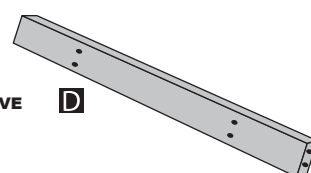
1x Headboard
For upper loft



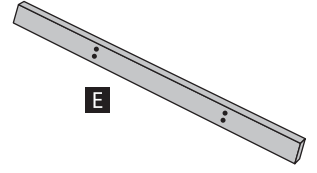
1x Foot board
For ladder side of upper loft



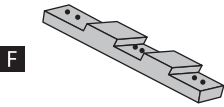
1x Grooved upper side rail
Connects headboards on back wall side of upper loft



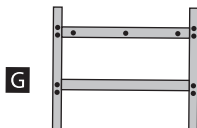
1x Upper side rail
Connects headboards on upper loft



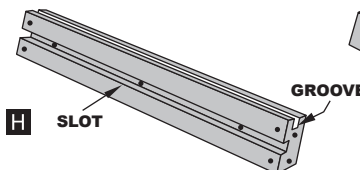
2x Long safety rails
For attachment to upright support on wall side of loft



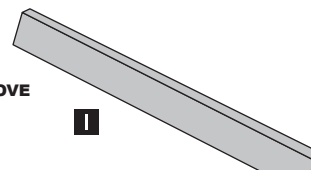
2x Upright supports
For attachment of long safety rails to loft



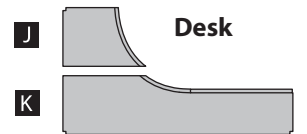
2x Bottom end boards
For use on lower part of loft



1x Upper back rail
Connects endboards on lower unit.

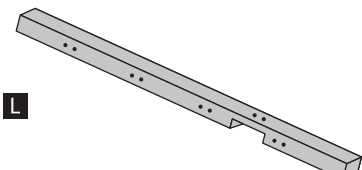


1x Lower back rail
Connects endboards on lower unit.

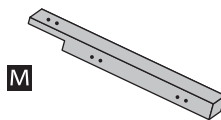


Desk

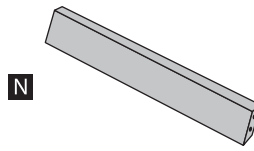
Desk
For lower unit



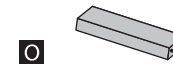
1x Long upright support
For front ladder and front safety rail



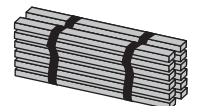
1x Short upright support
Support for ladder side of safety rail



2x Short safety rail
Attach on front of bed between short upright and long upright on ladder side of bed

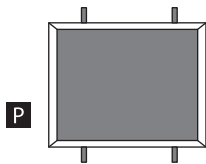


3x Ladder steps
used to assemble ladder

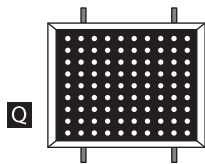


1x Slat bundle
Rests on upper side rail strap side down

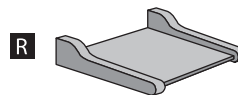
ACCESSORIES



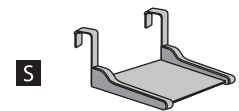
1x Corkboard



1x Pegboard



1x Computer printer tray



1x Alarm clock book shelf



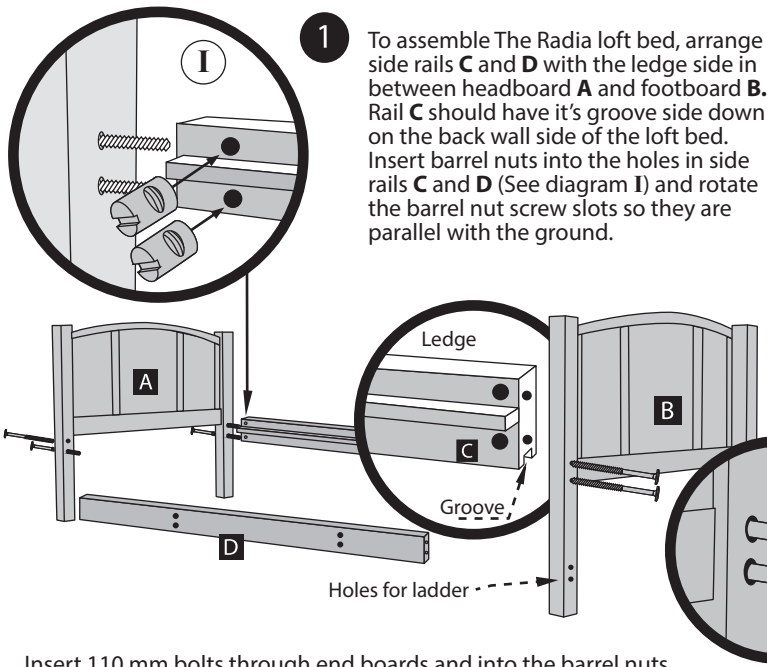
1x Wire file holder



1x Wire shelf

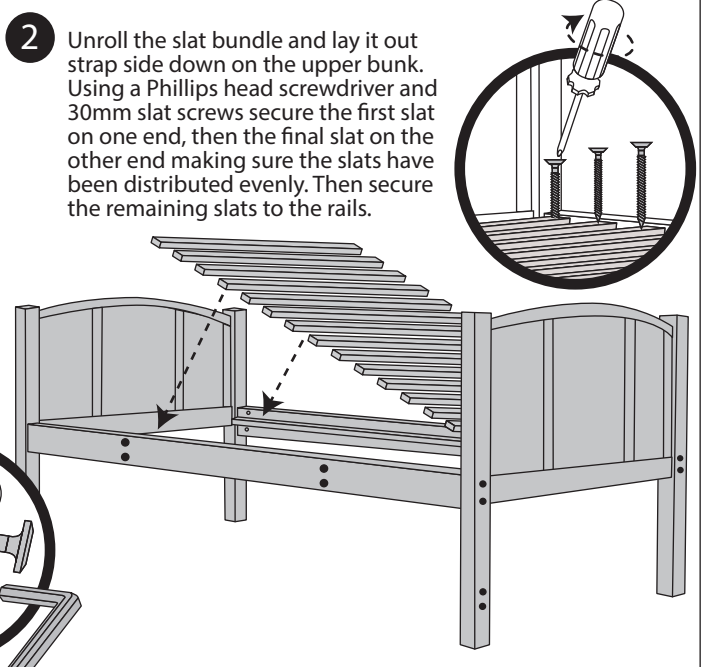


1x Wire basket



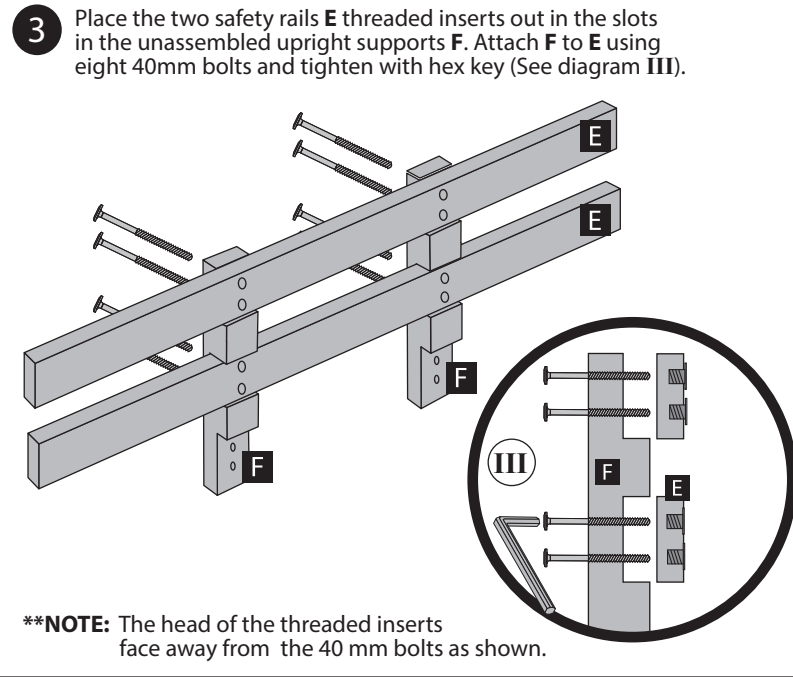
1 To assemble The Radia loft bed, arrange side rails **C** and **D** with the ledge side in between headboard **A** and footboard **B**. Rail **C** should have its groove side down on the back wall side of the loft bed. Insert barrel nuts into the holes in side rails **C** and **D** (See diagram **I**) and rotate the barrel nut screw slots so they are parallel with the ground.

Insert 110 mm bolts through end boards and into the barrel nuts.
*foot-board has extra holes for ladder attachment on right side of loft.
Tighten 110 mm bolts with hex key provided (See diagram **II**).



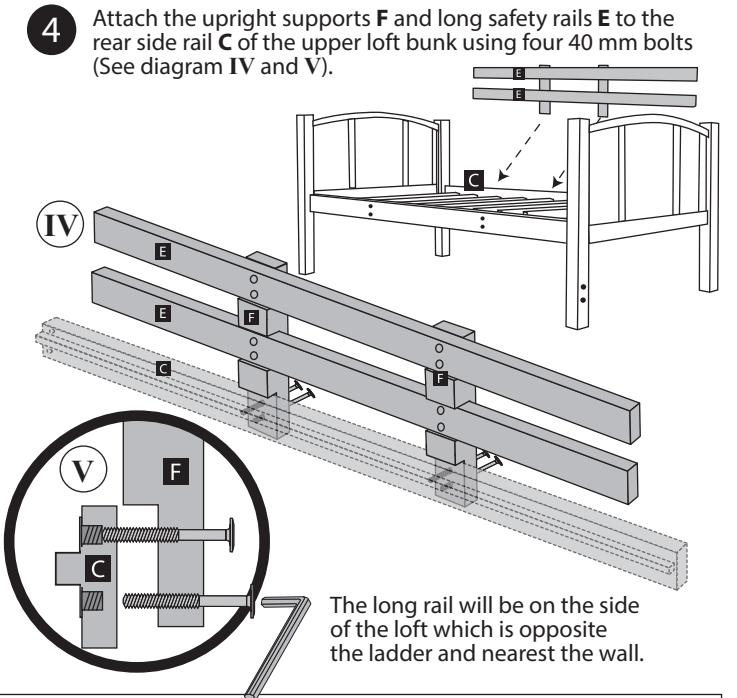
2 Unroll the slat bundle and lay it out strap side down on the upper bunk. Using a Phillips head screwdriver and 30mm slat screws secure the first slat on one end, then the final slat on the other end making sure the slats have been distributed evenly. Then secure the remaining slats to the rails.

****NOTE:** A power screwdriver with clutch set to low comes in handy here.



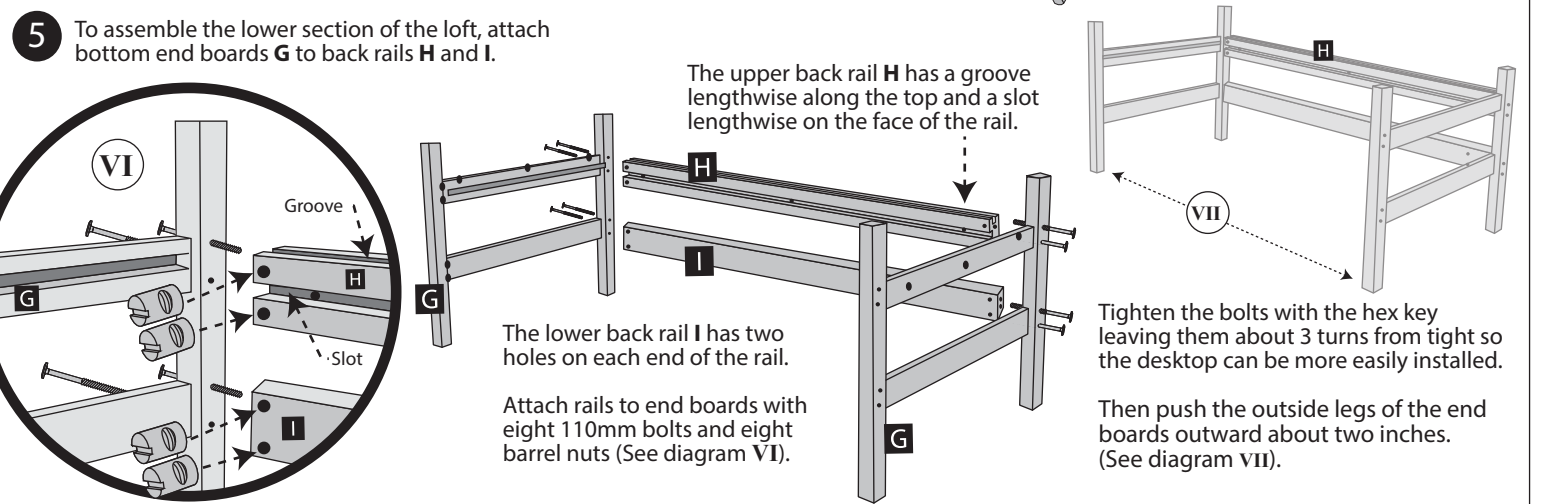
3 Place the two safety rails **E** threaded inserts out in the slots in the unassembled upright supports **F**. Attach **F** to **E** using eight 40mm bolts and tighten with hex key (See diagram **III**).

****NOTE:** The head of the threaded inserts face away from the 40 mm bolts as shown.



4 Attach the upright supports **F** and long safety rails **E** to the rear side rail **C** of the upper loft bunk using four 40 mm bolts (See diagram **IV** and **V**).

The long rail will be on the side of the loft which is opposite the ladder and nearest the wall.



5 To assemble the lower section of the loft, attach bottom end boards **G** to back rails **H** and **I**.

The upper back rail **H** has a groove lengthwise along the top and a slot lengthwise on the face of the rail.

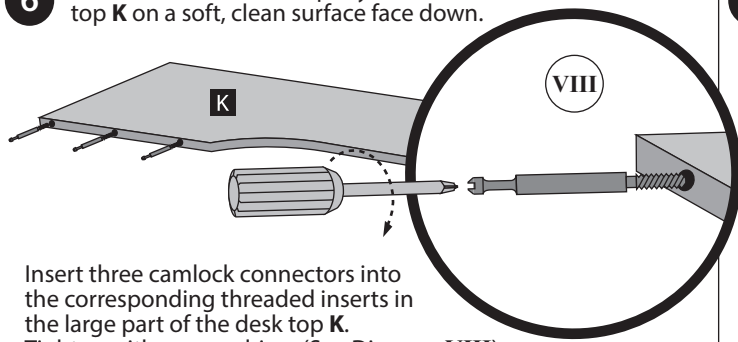
The lower back rail **I** has two holes on each end of the rail.

Attach rails to end boards with eight 110mm bolts and eight barrel nuts (See diagram **VI**).

Tighten the bolts with the hex key leaving them about 3 turns from tight so the desktop can be more easily installed.

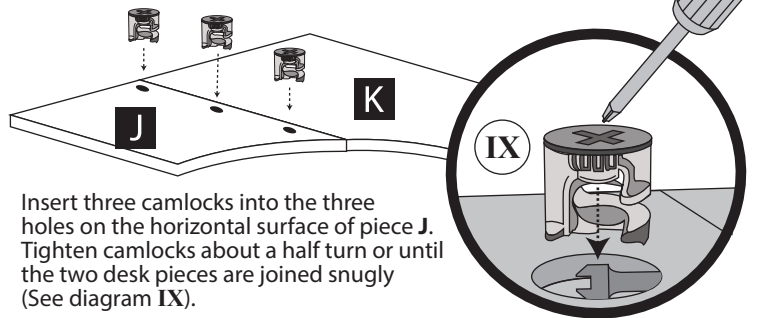
Then push the outside legs of the end boards outward about two inches. (See diagram **VII**).

- 6** To assemble the desk top, lay down desk top **K** on a soft, clean surface face down.



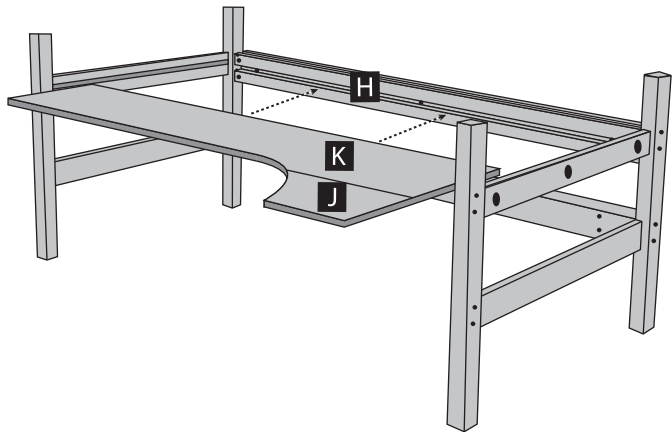
Insert three camlock connectors into the corresponding threaded inserts in the large part of the desk top **K**. Tighten with a screwdriver (See Diagram VIII).

- 7** Slide the camlock connectors into the corresponding holes on the edge of piece **J** hole side facing up.

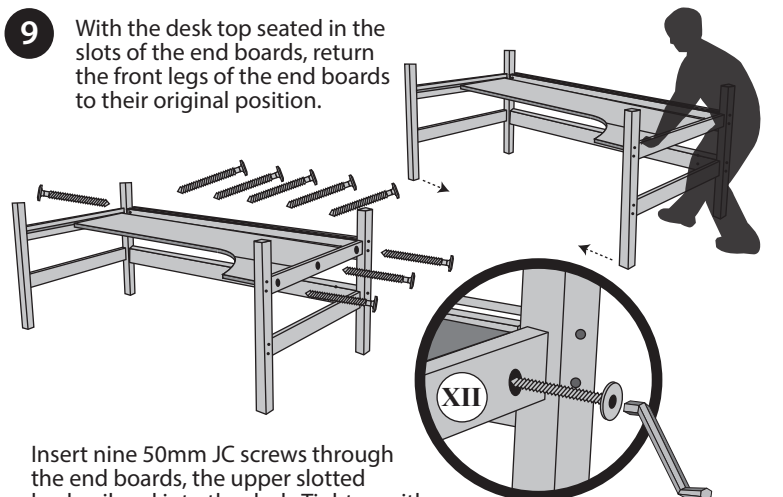


Insert three camlocks into the three holes on the horizontal surface of piece **J**. Tighten camlocks about a half turn or until the two desk pieces are joined snugly (See diagram IX).

- 8** Put the desk top assembly **J & K** into the slot of the bottom end boards and slide the edges back into the slot on the back rail **H**.

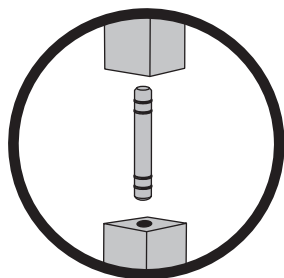


- 9** With the desk top seated in the slots of the end boards, return the front legs of the end boards to their original position.



Insert nine 50mm JC screws through the end boards, the upper slotted back rail and into the desk. Tighten with a hex key provided. Now fully tighten eight 110mm bolts that attach the end boards to the back rail (See diagram XII).

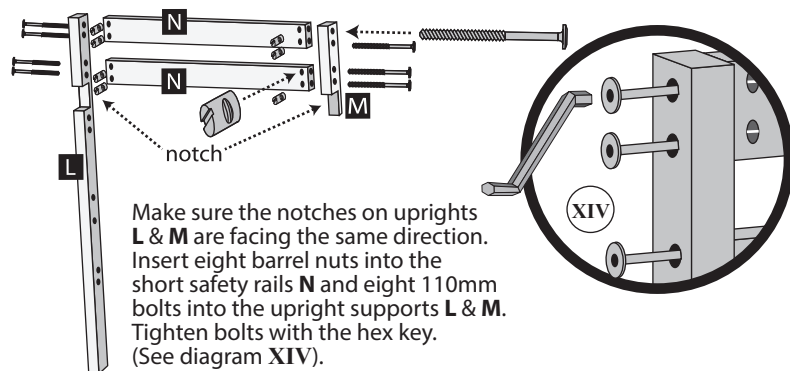
- 10** Insert one bunk connector pin into each corner post of the lower unit.



With the assistance of a friend place the loft bed assembly on top of the lower unit.

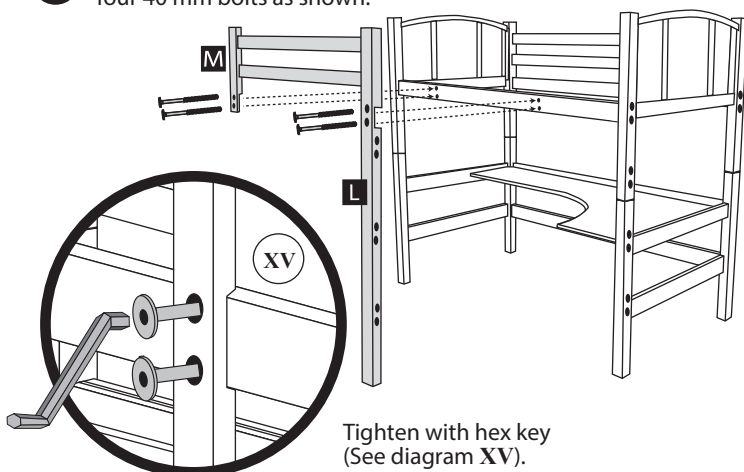


- 11** Locate the long upright support **L**, the short upright support **M** and the two short safety rails **N**.



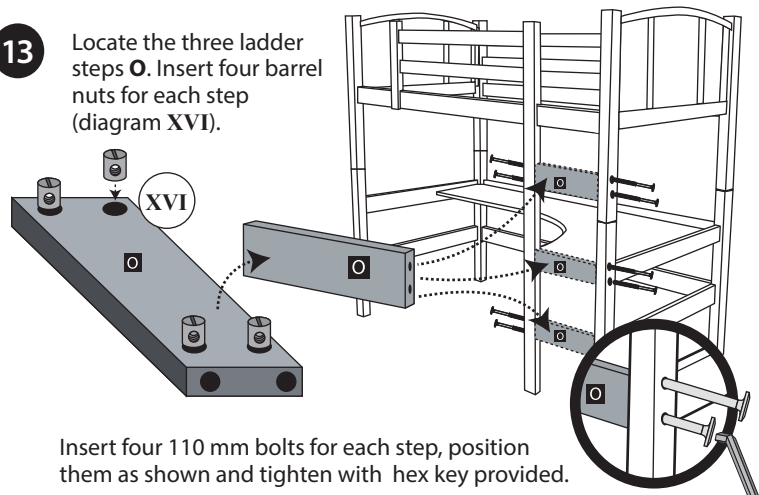
Make sure the notches on uprights **L & M** are facing the same direction. Insert eight barrel nuts into the short safety rails **N** and eight 110mm bolts into the upright supports **L & M**. Tighten bolts with the hex key. (See diagram XIV).

- 12** Attach the ladder/safety rail assembly to the loft using four 40 mm bolts as shown.



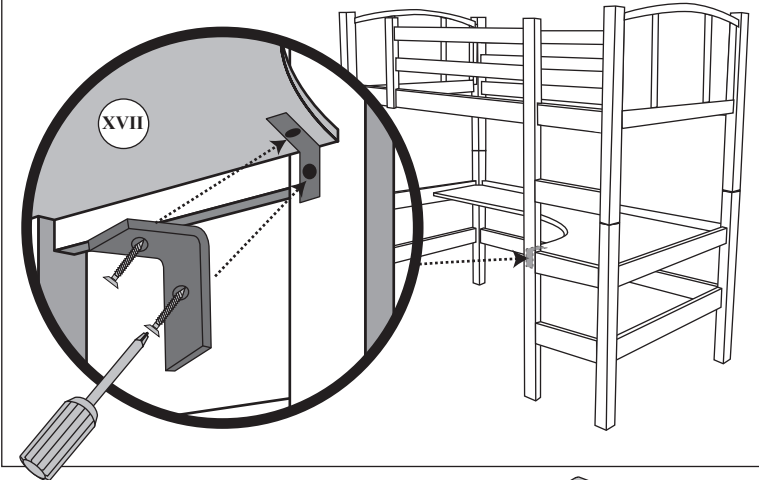
Tighten with hex key (See diagram XV).

- 13** Locate the three ladder steps **O**. Insert four barrel nuts for each step (diagram XVI).

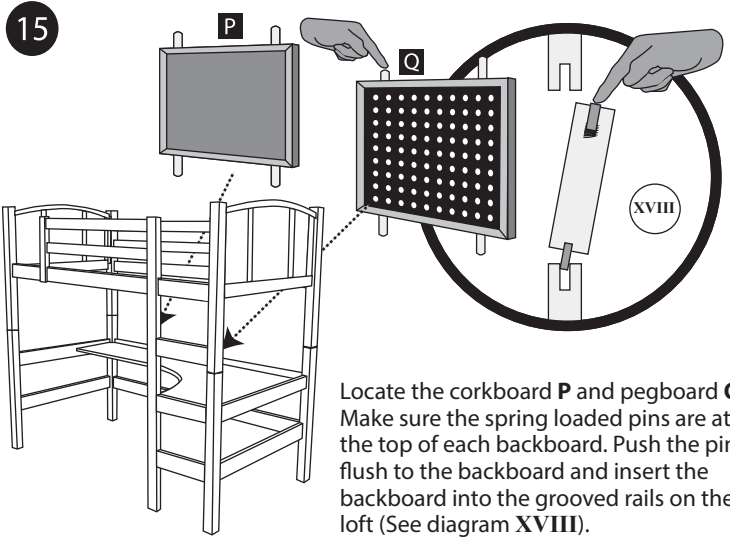
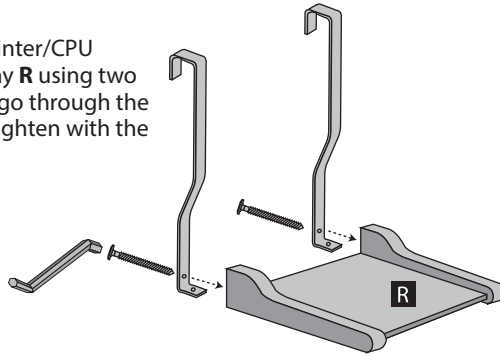


Insert four 110 mm bolts for each step, position them as shown and tighten with hex key provided.

14 Install the **L** bracket in the predrilled holes underneath the desk and behind the ladder/safety rail assembly using two 15 mm wood screws and a Phillips head screwdriver (See diagram **XVII**).

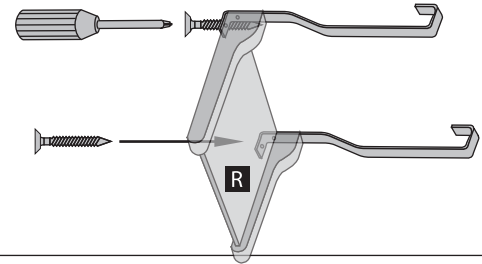


16 Attach the two printer/CPU brackets to the tray **R** using two 40 mm bolts that go through the back of the tray. Tighten with the hex key provided.

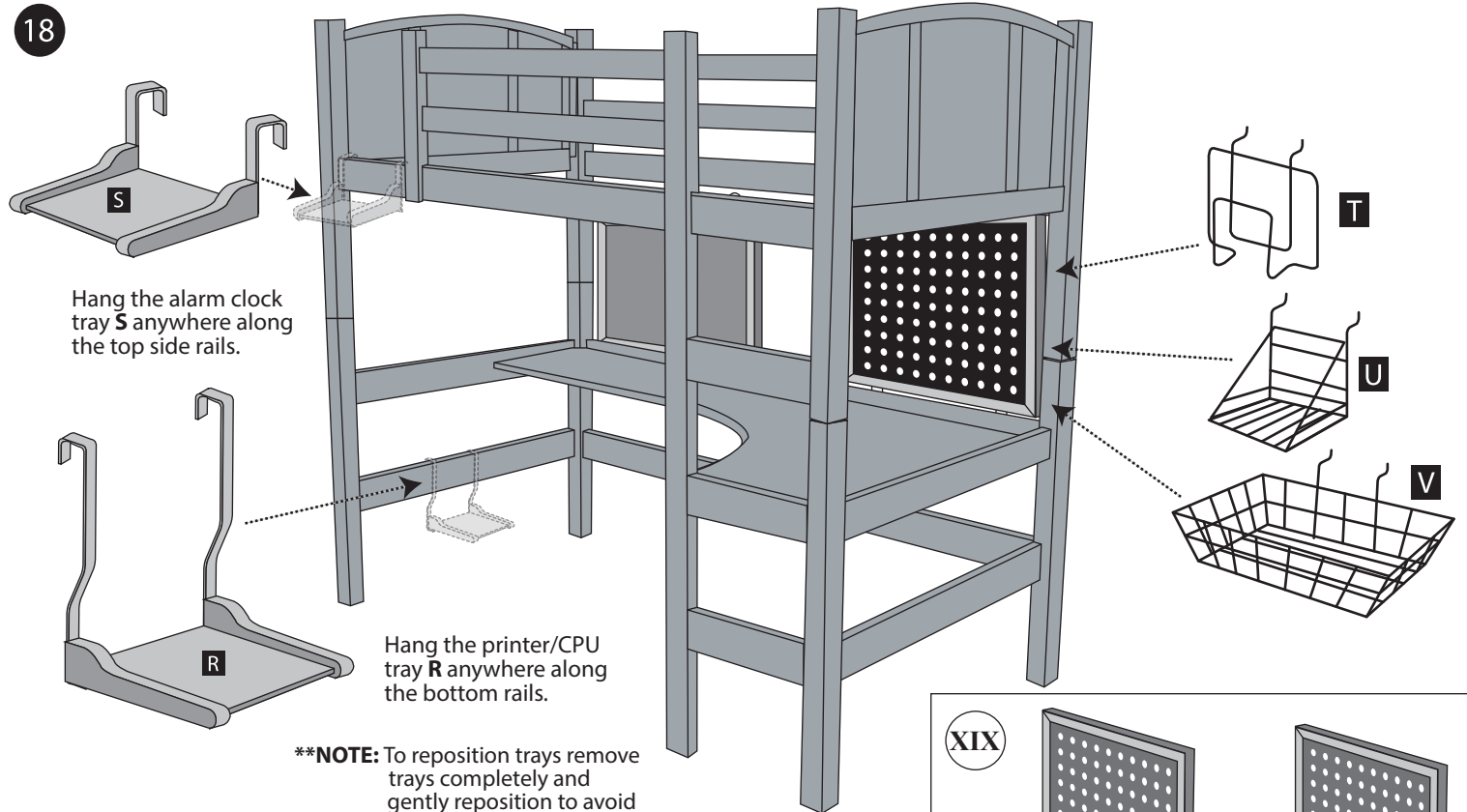


Locate the corkboard **P** and pegboard **Q**. Make sure the spring loaded pins are at the top of each backboard. Push the pins flush to the backboard and insert the backboard into the grooved rails on the left (See diagram **XVIII**).

17 Next use a Phillips head screwdriver to sink two 30 mm wood screws through the bracket and into the bottom of the tray **R**.



18 Hang the alarm clock tray **S** anywhere along the top side rails.



****NOTE:** To reposition trays remove trays completely and gently reposition to avoid scratching finish.

Attach the three wire organizer baskets **T, U, V**, to the pegboard as desired by tilting the basket and inserting the prongs into the holes and push the basket back down to a level position to secure the basket to the pegboard (See diagram **XIX**).