



Pacifica / Modeno

5472: PM-QU-PB-ES 5474: PM-TW-PB-ES 5479: PM-QU-PB-GR
 5476: PM-FU-PB-ES 5477: PM-KI-PB-ES 5478: PM-KI-PB-GR
 5475: PM-FU-PB-GR



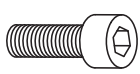



Congratulations on the purchase of your Pacifica Platform Bed. This bed has been crafted to the highest standards of quality and safety and will give you many years of enjoyment and practical use.

On this insert you will find a list of the hardware and platform bed parts as well as detailed assembly instructions. Assembly is quite simple and requires only a flat head screwdriver and a Phillips head screwdriver. The use of a power drill with Phillips head attachment is helpful but not necessary. Assembly will be most easily accomplished if you take the time to carefully sort the hardware and familiarize yourself with the function of each piece.

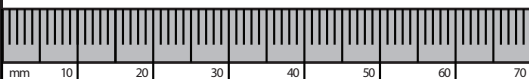
If you need assistance with assembly, part replacement or any other matter, please contact the toll-free Epoch Design Customer Service Team from Monday through Friday, 9 AM-5 PM PST at 1 (800) 589-7990. You may also email your request or comments to info@epochbydesign.com and a customer service representative will respond.

Thank you and Enjoy

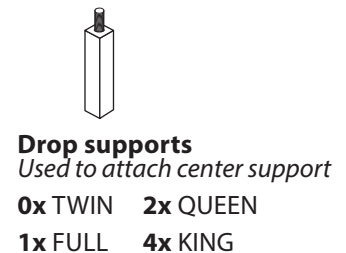
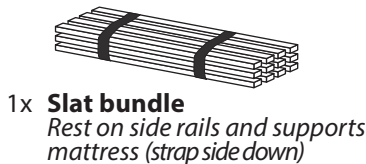
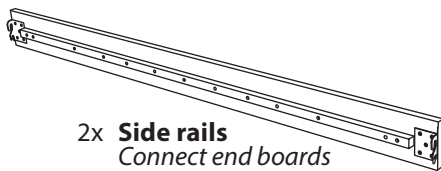
HARDWARE LIST

					
8x Flat Washers <i>To connect side rails to Headboard & Footboard</i>	8x Lock Washers <i>To connect side rails to Headboard & Footboard</i>	8x 20 mm bolts <i>To connect side rails to Headboard & Footboard</i>	50 mm screws <i>Used to secure center support</i>	30 mm slat screws <i>Used to secure slats to rails</i>	
			0x TWIN 2x QUEEN	24x TWIN 39x QUEEN	1x Hex key
			2x FULL 4x KING	36x FULL 52x KING	<i>Used to tighten bolt hardware</i>

Guide



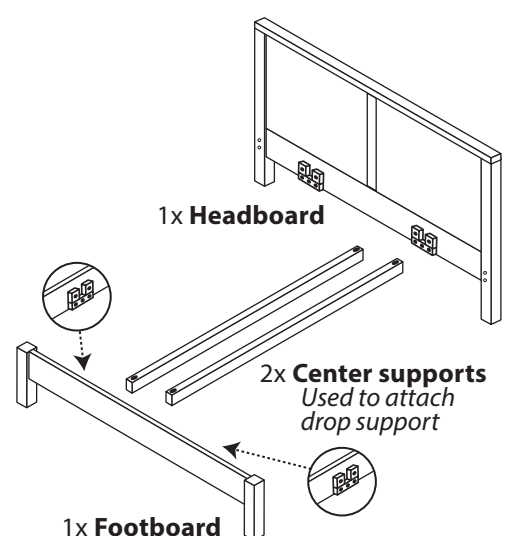
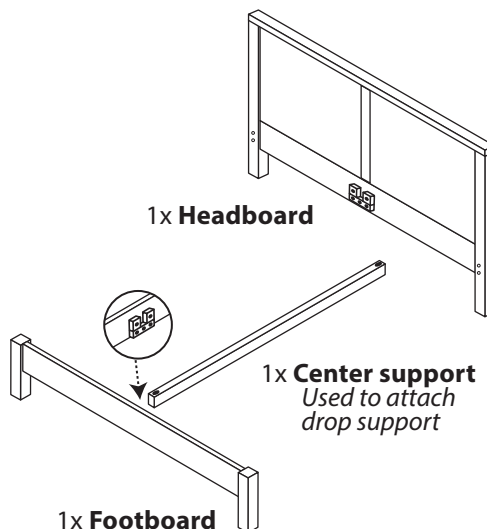
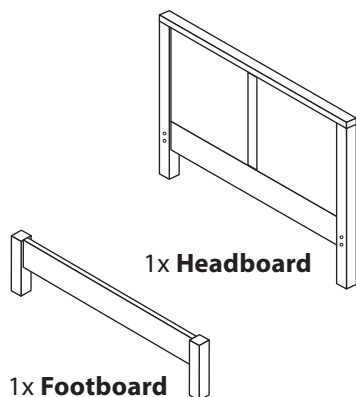
BED PARTS



TWIN

FULL / QUEEN

KING

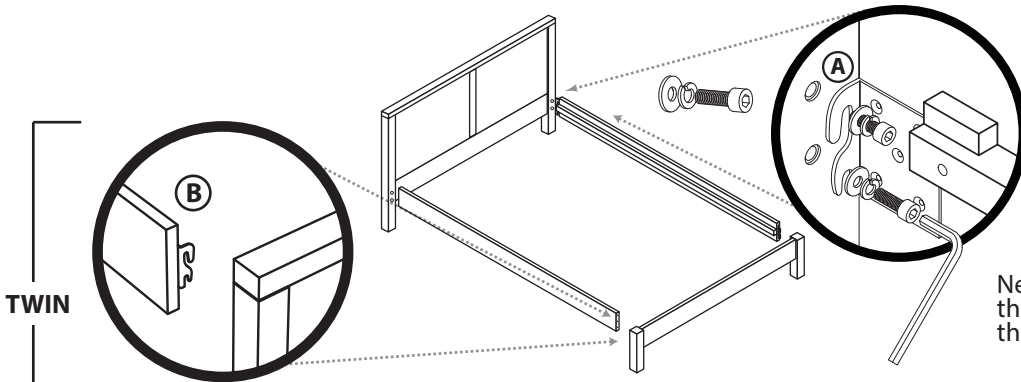


HAVE QUESTIONS OR CONCERNS? CALL US FIRST: 1-800-589-7990

Copyright 2020 Epoch Design™ All rights reserved

1

Make sure the slat rail ledge is facing the inside of the bed then install a lock washer and a flat washer onto two of the 20 mm bolts, and thread them into the pre-drilled holes in the headboard. Slide the hooks installed on the slide rail between the headboard and the flat washer and loosely finger tighten (A).



Next, repeat the process with the other end of the rails into the footboard (B).

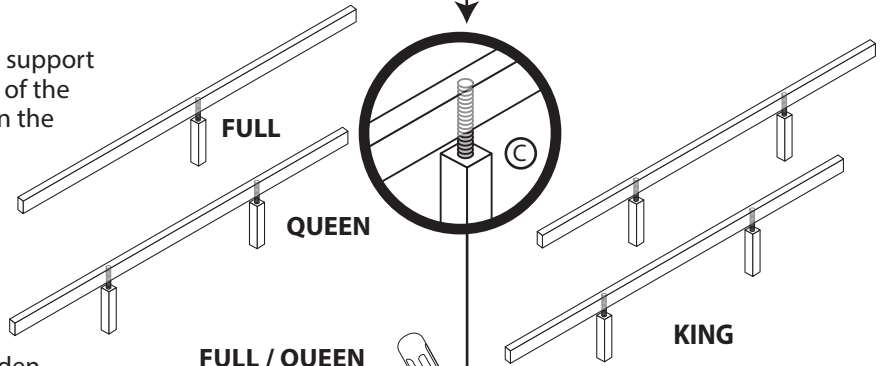
TWIN

If you have the TWIN size bed, skip Step (2) & (3) and go to Step (4).

FULL / QUEEN / KING

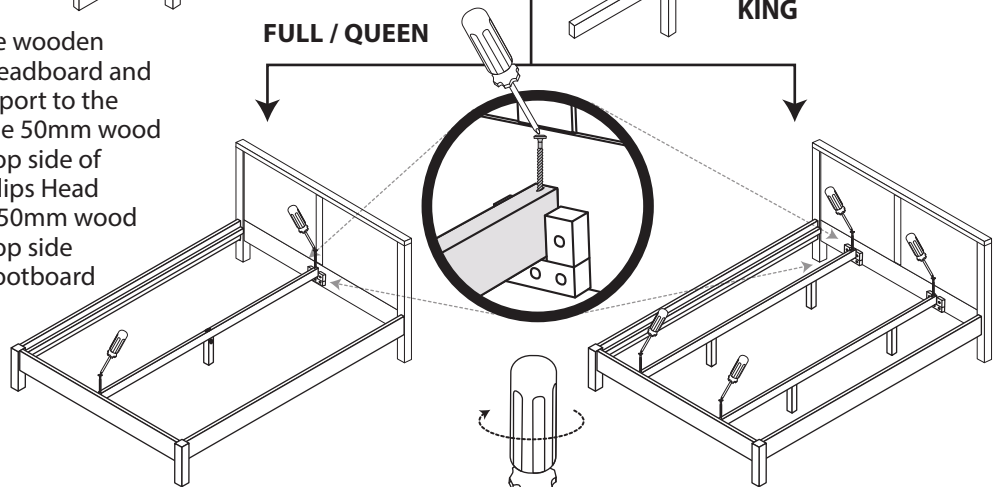
2

Attach the drop support to the center support by inserting the threaded stud on top of the drop support into the threaded hole in the bottom of the center support beam. Rotate the drop support to screw the drop support into place.



3

Place the center support into the wooden center support brackets in the headboard and footboard. Insert the center support to the bottom of the brackets. Drive one 50mm wood screw through the hole on the top side of center support beam with a Phillips Head screwdriver. Then drive another 50mm wood screw through the hole on the top side of center support beam on the footboard end of the center support.

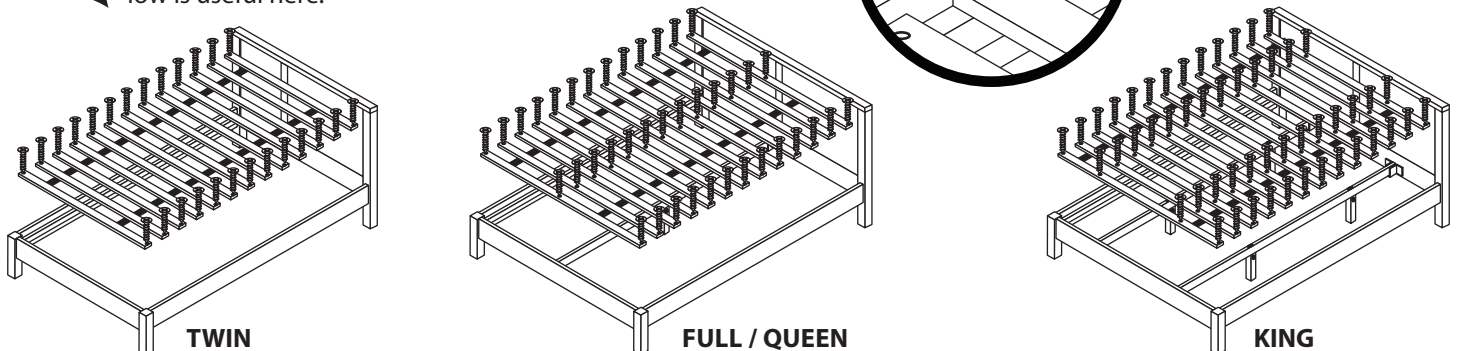


FULL / QUEEN

KING

4

Unroll the slat bundle strap side down onto the side rails distributing them evenly from end to end. Starting with the first slat, and last slat, secure the slats to the side ledges with 30 mm slat screws using a Phillips head screwdriver. A power screwdriver with clutch set on low is useful here.



TWIN

FULL / QUEEN

KING