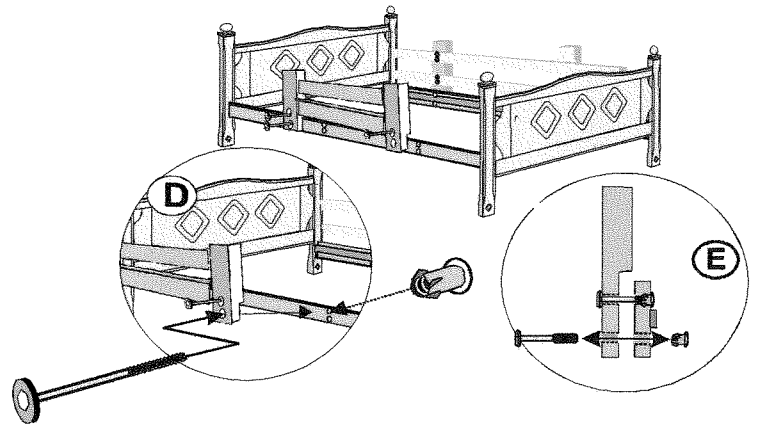
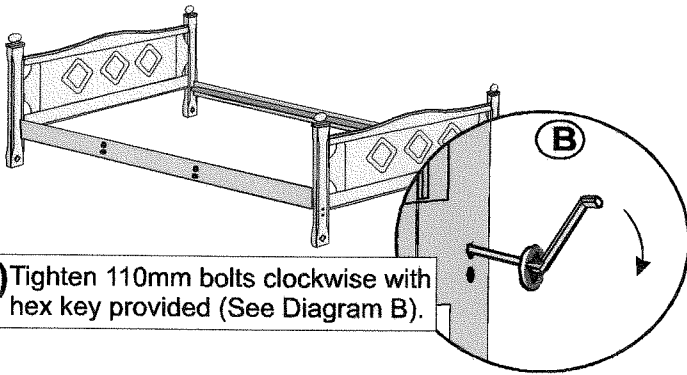


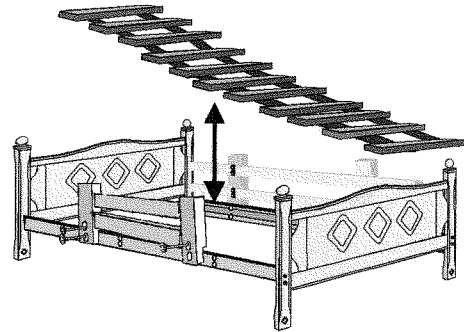
1) To assemble upper bunk, attach short end boards to upper bunk side rails. The side rails used on upper bunk have pre-drilled holes for safety rail attachment. Insert barrel nuts into side rails. Insert 110mm bolts through end boards and into barrel nuts (See Diagram A).



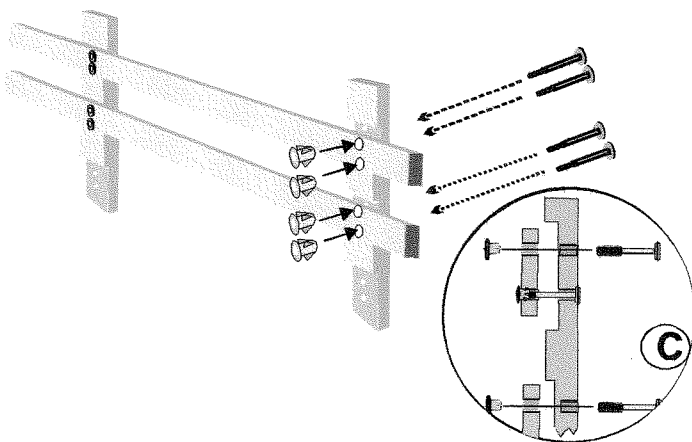
4) Attach both the long and the short safety rails to the corresponding side rails of the upper bunk using eight 50 mm bolts and eight propel nuts (See Diagrams D & E). The long rail will be on the side of the bunk which can be placed against a wall. The short rail will be used on the side of the bunk accessed by the ladder and should never be placed against the wall.



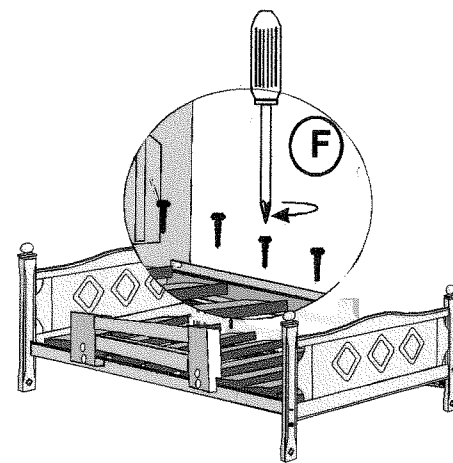
2) Tighten 110mm bolts clockwise with hex key provided (See Diagram B).



5) Unroll a slat bundle (strap side down) onto side rail ledges from end to end.

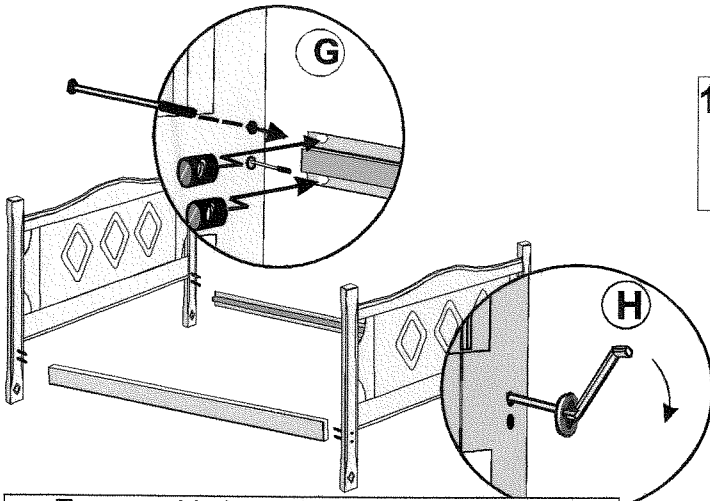


3) Attach the two long safety rails to the two vertical supports using eight 50 mm bolts and eight propel nuts. Tighten with hex key (See Diagrams C).

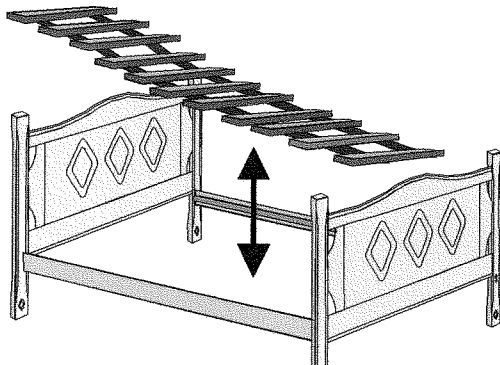


6) Attach slats to side rail ledge with slat screws using a phillips head screwdriver (See Diagram F). A power screwdriver comes in handy here.

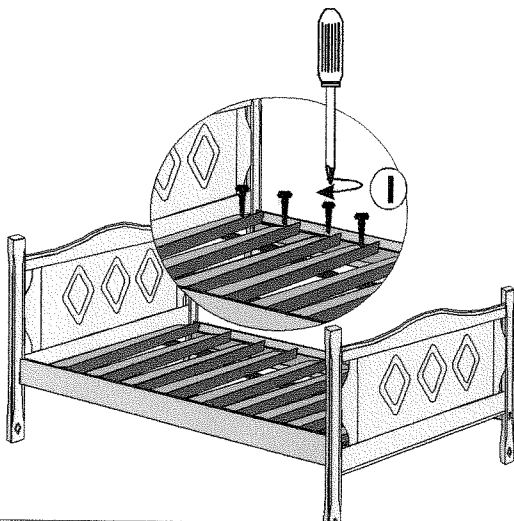
Have a question??.. Need a part ASAP??..1-800-589-7990



7) To assemble lower bunk, repeat procedure used for upper bunk using taller end boards. (See Diagram G). Tighten 110mm bolts to barrel nuts with hex key (See Diagram H).

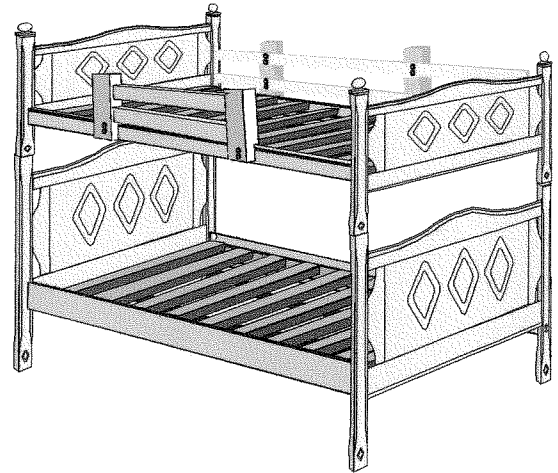
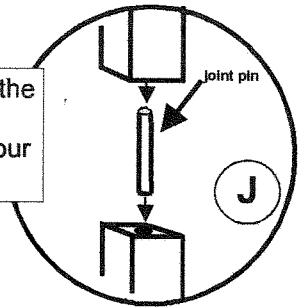


8) Unroll the second slat bundle (strap side down) onto ledges of side rails.

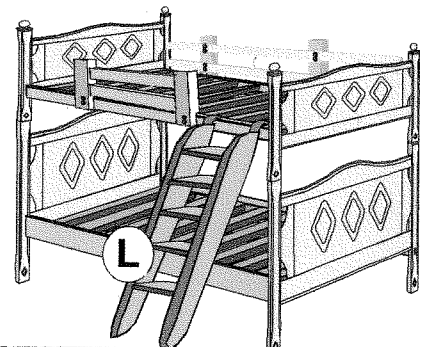
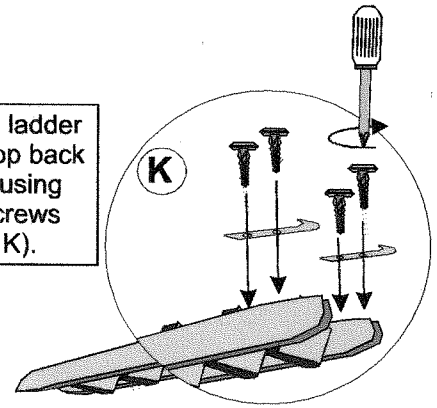


9) Attach slat bundle to side rail ledges with slat screws using a phillips head screwdriver. A power screwdriver comes in handy here (See Diagram I).

10) Place the upper bunk on top of the lower bunk, inserting a bunk connector pin into each of the four corner posts (See Diagram J).



11) Attach the two ladder hooks to the top back side of ladder using ladder hook screws (See Diagram K).





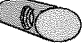






12) Attach ladder to side rail of upper bunk (See Diagram L). Now use the hex key to retighten all bolts so that bunk bed assembly is rigid. It may be necessary to retighten bunk after wood has acclimated to your weather region.

Have a question??.. Need a part ASAP??..1-800-589-7990


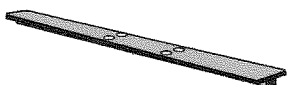

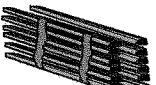
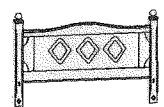
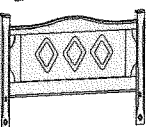
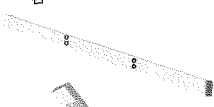



Camelot Bunk Bed Hardware

Quantity

Use

16		110 mm bolts	Used to connect headboards & footboards to side rails
16		50 mm bolts	Used to attach safety rails to side rails together with propel nuts
16		barrel nuts	Used to secure bolts
16		propel nuts	Used to attach safety rails to side rails together with 50 mm bolts
4		upper/lower bunk connector pins	Used to connect lower bunk to upper bunk
64		slat screws	Used to secure slats to rails
4		ladder hook screws	Used to attach hooks to ladder
2		ladder hooks	Used to secure ladder to bed
1		hex key	Tool used to tighten bolt hardware

Camelot Bunk Bed Parts

2		Side rails which connect the end boards on the lower bunk.
2		Side rails with four predrilled holes which connect the end boards on the upper bunk.
1		Ladder which attaches to upper side rail for entry to upper bunk.
2		Slat bundles which rest on side rails, strap side down, and support mattresses.
2		Short end boards for use on the upper bunk.
2		Tail end boards for use on the lower bunk.
2		Long safety rails for attachment to upright supports on upper bunk. Long safety rails are used on wall side of bunk.
2		Vertical supports for attachment of long safety rails to upper bunk.
1		Short safety rail for attachment to ladder access side of bunk.
4		Ornamental wood caps for use on headboards when bunks are separated into two twin size beds.

Have a question??.. Need a part ASAP??..1-800-589-7990