

# Epoch Design

Model 5176

## Gabriel Bunk Bed

Congratulations on the purchase of your Gabriel Solid Hardwood Bunk Bed. This bed has been crafted to the highest standards of quality and safety and will give you many years of enjoyment and practical use. Your Solid Hardwood Bunk Bed can be separated into two individual twin beds when the need arises for separate sleeping configurations.

Since this bed is a natural wood product there will be variations in color and grain, and minor checking may occur. This is normal and does not compromise the integrity of your bed. In fact, variation in character of solid hardwood is integral to the beauty and appeal of hardwood furniture, and distinguishes it from prefabricated, synthetic and composite materials. Several basic safety considerations must be adhered to when using this bunk bed.

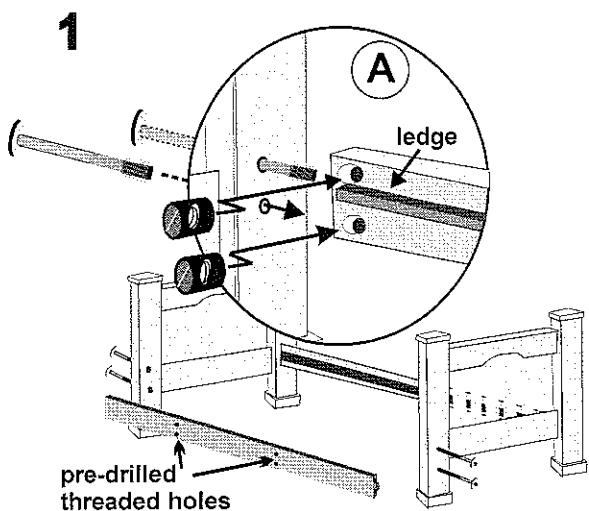
### TO HELP PREVENT serious or fatal injury from entrapment or falls:

- Never allow a child under 6 years on upper bunk.
- Always use the recommended size mattress or mattress support(standard twin 38"X74"), (97cmX188cm) or both, to help prevent the likelihood of entrapment or falls.
- Ensure thickness of mattress does not exceed 9 inches(22.9cm).
- Mattress must be at least 5 inches(12.7cm) below upper edge of guardrails.
- Always use guardrails on both sides of upper bunk.
- Do not allow horseplay on or under bed(s) and prohibit jumping on the bed.
- Prohibit more than one person on upper bunk.
- Always use the ladder for entering and leaving upper bunk.
- If the bunk will be placed next to a wall, the guardrail that runs the full length of the bed should be placed against the wall to prevent entrapment between the bed and the wall.
- Follow the information on the warnings appearing on the upper bunk end structure and on the carton. Do not remove warning label from bed.
- Periodically check and ensure that the guardrail, ladder and other components are in their proper position, free from damage and that all connectors are tight.
- Do not use substitute parts. Contact Mfg. or dealer for replacement parts.
- The use of water or sleep flotation mattress is prohibited.
- Keep these instructions for future reference.
- Use of a night light may provide added safety precaution for a child using the upper bunk.
- **STRANGULATION HAZARD** - Never attach or hang items to any part of the bunk bed that are not designed for use with the bed : for example, but not limited to, hooks, belts and jump ropes.

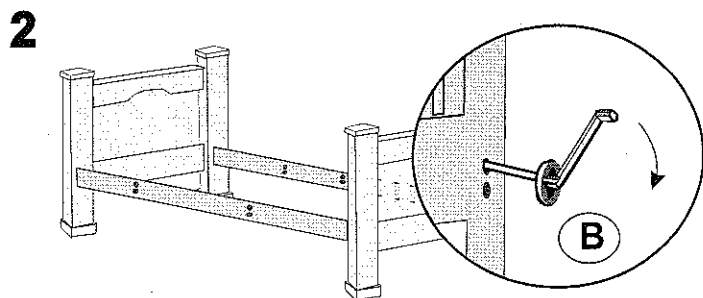
On this insert you will find a list of the hardware and bunk bed parts necessary for assembly, as well as detailed instructions. Assembly is quite simple and requires only a flat head screwdriver and a phillips head screwdriver. The use of a power drill with phillips head attachment is helpful but not necessary. Assembly will be most easily accomplished if you take the time to carefully sort the hardware and familiarize yourself with the function of each piece.

If you need assistance with assembly, part replacement or any other matter, contact the toll-free Epoch Design Service Center from anywhere in the Continental United States, Monday through Friday, 10AM - 5PM Pacific Standard Time at 1-800-589-7990. You may also fax your request or comments to 425-284-0885 and a service representative will respond.

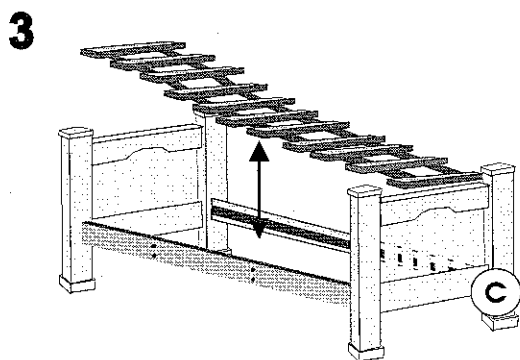
**Thank you and Enjoy**



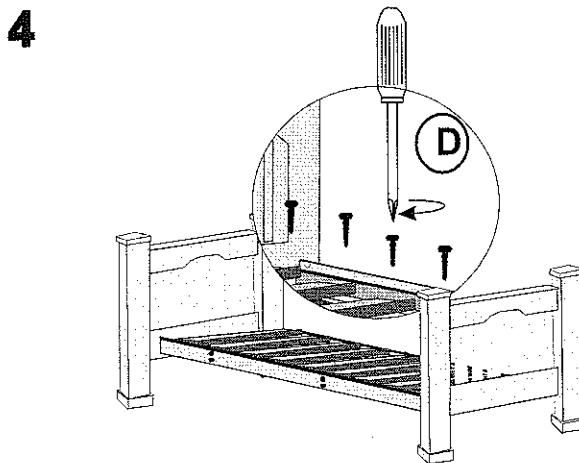
To assemble upper bunk, attach **short** end boards to upper bunk side rails. The side rails used on upper bunk have **pre-drilled** threaded holes for safety rail attachment. The side rails have a ledge which should be oriented towards the center of the bed. Insert eight barrel nuts into the side rails. Insert eight 110mm bolts through endboards and into barrel nuts (see diagram A).



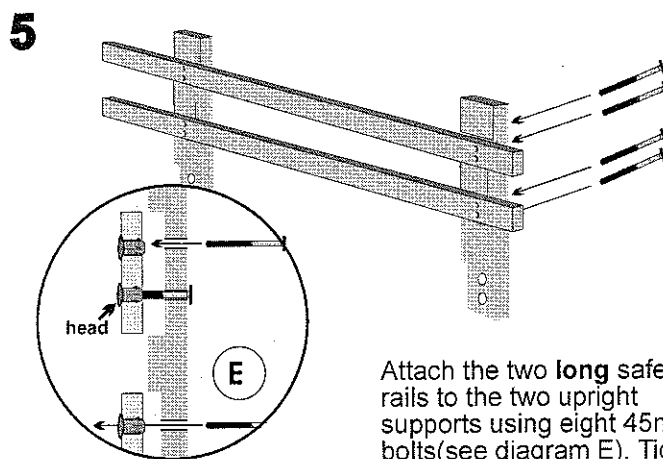
Tighten 110mm bolts clockwise with hex key provided (see diagram B).



Unroll slat bundle (strap side down) onto side rail ledges from end to end (see diagram C).

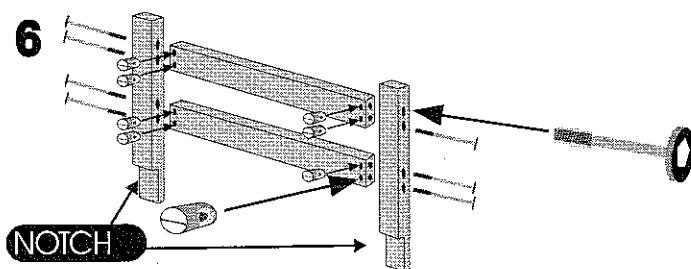


Attach slats to side rail ledge with slat screws using a Phillips head screwdriver (see diagram D). A power screwdriver comes in handy here.



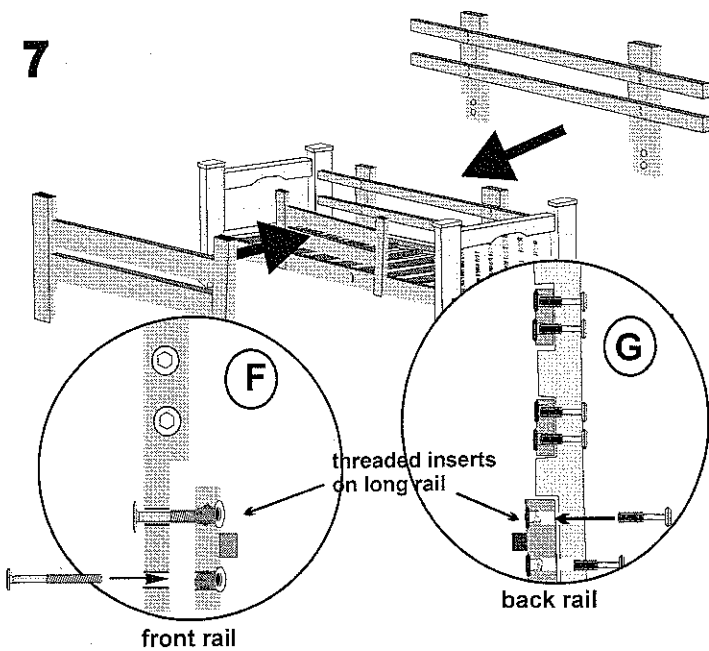
Attach the two **long** safety rails to the two upright supports using eight 45mm bolts (see diagram E). Tighten with hex key.

Please note that the head of the threaded inserts on the safety rails **MUST** face away from the 45 mm bolts as shown in diagram E

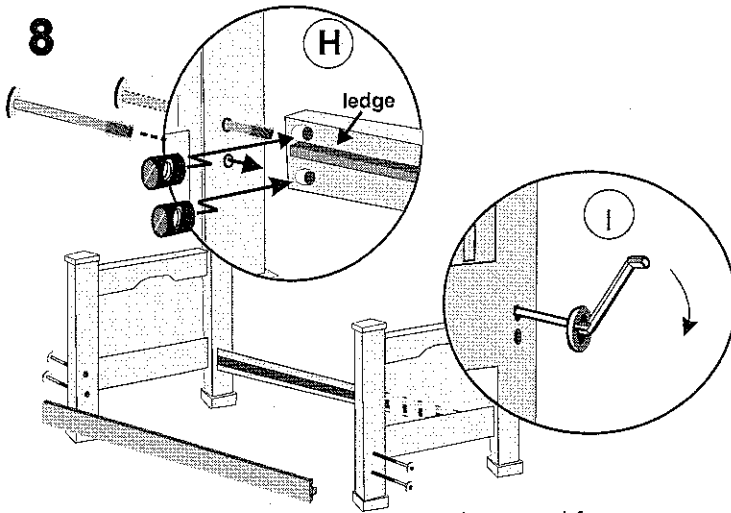


Locate the two upright supports and the two **short** safety rails. Insert eight barrel nuts into the short safety rails and eight 110mm bolts into the upright supports. Make sure the notches on the uprights face the same direction. Tighten bolts with hex key provided.

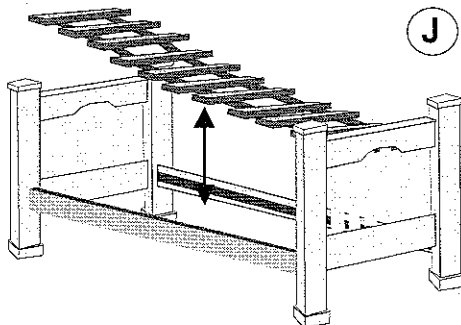
Have a question??.. need a part ASAP??..1-800-589-7990

**7**

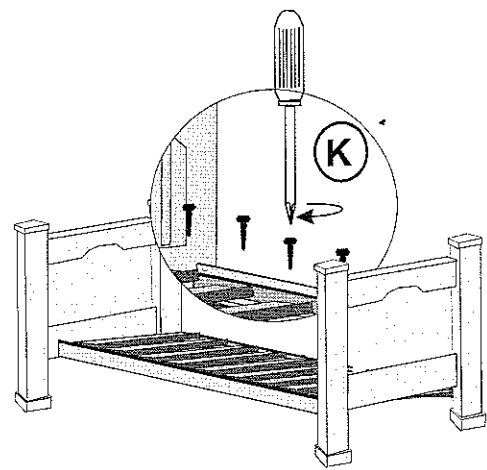
Attach the long and shorter safety rails to the corresponding side rails of the upper bunk using eight 45mm bolts (see diagram F & G). Tighten bolts with hex key provided. The long rail will be on the side of the bunk which can be placed against a wall. The short rail will be used on the side of the bunk accessed by the ladder and should never be placed against the wall.

**8**

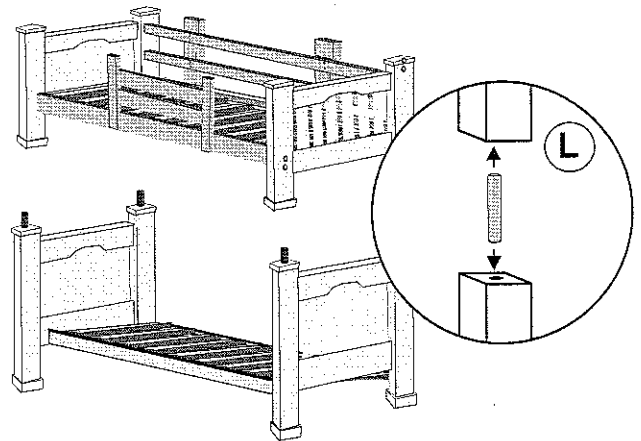
To assemble lower bunk, repeat procedure used for upper bunk using **taller end boards** (see diagram H). Tighten 110mm bolts to barrel nuts with hex key provided (see diagram I).

**9**

Unroll the second slat bundle (strap side down) onto side rail ledges from end to end (see diagram J).

**10**

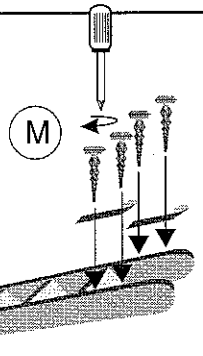
Attach slats to side rail ledge with slat screws using phillips head screwdriver (see diagram K). A power screwdriver comes in handy here.

**11**

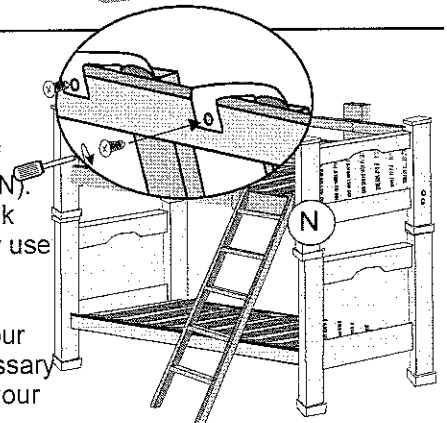
Place the upper bunk on top of the lower bunk, inserting a bunk connector pin into each of the four corner posts (see diagram L).

**12**

Attach ladder hooks to the top back sides of ladder using the four ladder hook screws into pre-drilled pilot holes (See Diagram M).

**13**

Attach ladder to side rail of upper bunk (See Diagram N). Now affix ladder to the bunk using two 1/2" screws. Now use the hex key to retighten all bolts so that the bunk bed assembly is rigid. Keep your hex key as it may be necessary to occasionally **retighten** your bunk hardware.



**Have a question??.. need a part ASAP??..1-800-589-7990**

# HARDWARE LIST

QUANTITY		QUANTITY	
16	100mm bolts Used to connect headboards & footboards to side rails	68	Slat/ladder screws Used to secure slats to rail
16	45mm bolts Used to attach safety rail to bunk	2	Ladder hooks Used to secure ladder to bed
24	Barrel nuts Used to secure bolts	1	Hex key Tool used to tighten bolt hardware
4	Upper/lower bunk connector pin Used to connect lower bunk to upper bunk	8	110mm bolts Used to construct the short safety rails assembly

## BUNK BED PARTS

2	Side rails which connect end boards on the lower bunk	2	Upper side rails which connect end boards on the upper bunk <i>Holes for safety rails</i>
1	Ladder which attaches to upper side rail for entry to upper bunk	2	Slat bundles which rest on side rails, strap side down, and support mattresses
2	Shorter end boards for use on the upper bunk	2	Taller end boards for use on the lower bunk
2	Upright supports for attachment of long safety rails to upper bunk	2	Long safety rails for attachment to upright support on upper bunk (wall side of bunk)
2	Short upright supports	2	Short safety rails